

EC/AC centrifugal fans for air-conditioning technology

version 09/2011



The engineer's choice

ebmpapst

The new centrifugal fans for air-conditioning technology



A good indoor climate is becoming increasingly important – even in moderate latitudes. In offices, for example, it can increase productivity significantly, as people perform best at temperatures around 20 °C. In upscale hotels, climate control systems have now become the standard. In private homes, it will soon no longer be considered a luxury to select the temperature that is most comfortable for you.

At the same time, however, the requirements for fan technology have increased. On the one hand, value is placed on demand-oriented air flow and individual control options. At the same time, awareness of the latent potential for energy savings in building air-conditioning has increased. Another factor is more stringent expectations for the noise level. Especially in a hotel, a pleasant room temperature is of little use if you are kept awake by unwanted noise.

All of these requirements are met by the new series of ebm-papst climate control fans with GreenTech EC technology. The powerful EC centrifugal fans come standard with continuous speed control via a 0-10 V input and feature whisper-quiet operation thanks to the optimised control technique. This fulfils the more stringent requirements for comfort and convenience. In terms of energy efficiency, GreenTech EC technology is the very first choice, and features a power reduction of up to 70% compared to the previously used fans with split-pole or capacitor motors.

















The blower housing is made of durable plastic. The motor and attached impeller are decoupled from the housing by rubber elements. The fan can be easily installed in the fan at the blower exhaust flange. The control and supply lines are connected via prefabricated patch cords (optional). This enables easy and cost-saving installation and helps you avoid wiring errors.

All in all, this concept helps everyone feel good all around.



Table of contents



 The new centrifugal fans for air-conditioning technology	2
<hr/>	
 GreenTech: The Green Company	4
<hr/>	
 D3G 133 ...	6
<hr/>	
 K3G 133 ...	8
<hr/>	
 D3G 146 ...	10
<hr/>	
 K3G 146 ...	14
<hr/>	
 R3G 280 ...	16
<hr/>	
 D2E 133 ... / D4E 133 ...	18
<hr/>	
 K4E 133 ...	20
<hr/>	
 D2E 146 ...	22
<hr/>	
 D4E 146 ...	24
<hr/>	
 K4E 146 ...	26
<hr/>	
 Zubehör	28
<hr/>	
 Electrical connections	32
<hr/>	
 Technical parameters & scope	36
<hr/>	
 ebm-papst representatives & subsidiaries	40
<hr/>	

Sustainability is at the centre of our thoughts and actions. Out of conviction!

Eco-friendliness and sustainability have always been at the core of our thoughts and actions. For decades, we have worked according to the simple but strict creed of our co-founder Gerhard Sturm: "Each new product we develop has to be better than the last one in terms of economy and ecology." GreenTech is the ultimate expression of our corporate philosophy.





GreenTech is pro-active development.

Even in the design phase, the materials and processes we use are optimised for the greatest possible eco-friendliness, energy balance and – wherever possible – recyclability. We continually improve the material and performance of our products, as well as the flow and noise characteristics. At the same time, we significantly reduce energy consumption. Close co-operation with universities and scientific institutes and the professorship we endow in the area of power engineering and regenerative energies allows us to profit from the latest research findings in these fields – and at the same time ensure highly qualified young academics.

GreenTech is eco-friendly production.

GreenTech also stands for maximum energy efficiency in our production processes. There, the intelligent use of industrial waste heat and ground-water cooling, photovoltaics and, of course, our own cooling and ventilation technology are of the utmost importance. Our most modern plant, for instance, consumes 91% less energy than currently specified and required. In this way, our products contribute to protecting the environment, from their origin to their recyclable packaging.

GreenTech is acknowledged and certified.

Every step in our chain of production meets the stringent standards of environmental specialists and the public. The 2008 Environmental Prize of Baden-Wuerttemberg, the Green Award 2009, the Energy Efficiency Award 2009 of the dena – to give just a few examples – testify to this. The environmental advantage gained in the performance of the products developed from our GreenTech philosophy can also be measured in the fulfilment of the most stringent energy and environmental standards. In many instances, our products are already well below the thresholds energy legislation will impose a few years from now – several times over.

Our customers profit from this every day.

The heart of GreenTech is future-oriented EC technology from ebmpapst. The EC technology at the core of our most efficient motors and fans allows efficiency of up to 90%, saves energy at a very high level, significantly extends service life and makes our products maintenance-free. These values pay off not only for the environment, but every cent also pays off for the user! All ebmpapst products – even those for which GreenTech EC technology does not (yet) make sense from an application viewpoint – feature the greatest possible connection of economy and ecology.

EC centrifugal fans

forward curved, dual inlet, with housing, Ø 133



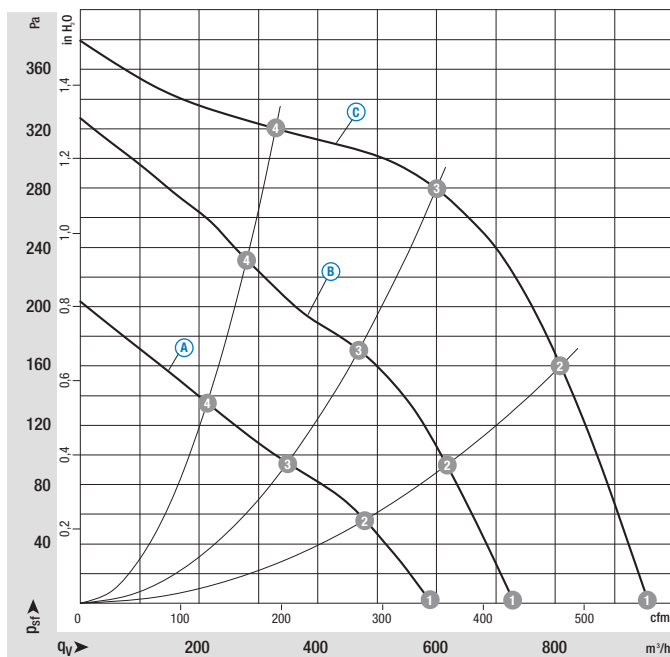
- **Material:** Housing: Plastic PP, black
Impeller: Plastic PA 6, fibreglass-reinforced; ⓐ Hot-dip galvanised sheet steel
Rotor: Galvanised
Electronics housing: Plastic PP, black
- **Direction of rotation:** Counter-clockwise, seen on rotor
- **Type of protection:** IP 44
- **Insulation class:** "F"
- **Mounting position:** Any
- **Condensate discharges:** None, open rotor
- **Mode of operation:** Continuous operation (S1)
- **Design:** Motor anti-vibration mounted on both sides
- **Bearings:** Maintenance-free ball bearings

Nominal data		Curve	Nominal voltage range	Frequency	Speed/rpm ⁽¹⁾	Max. input power ⁽¹⁾	Max. current draw ⁽¹⁾	Min. back pressure	Perm. amb. temp.	Electr. connection
Type	Motor	VAC	Hz	rpm	W	A	Pa	°C	p. 32/34	
D3G 133	M3G 055-BI	Ⓐ	1~ 200-240	50/60	1330	56	0,50	0	-25..+55	H4)
D3G 133	M3G 055-CF	Ⓑ	1~ 200-240	50/60	1620	82	0,70	0	-25..+40	H4)
D3G 133	M3G 055-DF	Ⓒ	1~ 200-240	50/60	2170	185	1,45	0	-25..+60	H6)

subject to alterations

(1) Nominal data in operating point with maximum load and 230 VAC

Curves



Air performance measured as per: ISO 5801, Installation category A, in ebm-papst scroll housing and without protection against accidental contact

Suction-side noise levels: L_WA as per ISO 13347, L_pA measured at 1 m distance to fan axis

The acoustic values given are only valid under the measurement conditions listed and may vary depending on the installation situation.

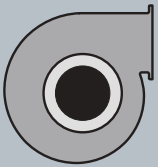
With any deviation to the standard setup, the specific values have to be checked and reviewed once installed or fitted!

For detailed information see page 36 ff.

	n rpm	P _e W	I A	L _W A dB(A)
Ⓐ 1	1330	56	0,50	64
Ⓐ 2	1480	47	0,45	61
Ⓐ 3	1595	41	0,41	60
Ⓐ 4	1825	30	0,32	60
Ⓑ 1	1620	82	0,70	68
Ⓑ 2	1840	81	0,68	67
Ⓑ 3	2150	78	0,67	66
Ⓑ 4	2350	60	0,54	67
Ⓒ 1	2170	185	1,45	76
Ⓒ 2	2450	183	1,43	75
Ⓒ 3	2695	159	1,25	74
Ⓒ 4	2710	99	0,81	72

- **Technical features:**
 - Control input 0-10 VDC / PWM
 - Output 10 VDC max. 1,1 mA
- **Motor protection:** TOP wired internally
- **EMC:**
 - Ⓐ Ⓑ Interference emission acc. to EN 61000-6-3
 - Ⓒ Interference emission acc. to EN 61000-6-4
 - Ⓐ Ⓑ Ⓒ Interference immunity acc. to EN 61000-6-2
 - Ⓐ Ⓑ Harmonics acc. to EN 61000-3-2
- **Leakage current:** $\leq 3,5$ mA acc. to EN 60335-1
- **Ⓐ Ⓑ Cable exit:** variable
- **Ⓒ Connection leads:** Via plug
- **Protection class:** I
- **Product conforming to standards:** EN 60335-1

- Tach output
- Motor current limitation
- Soft start

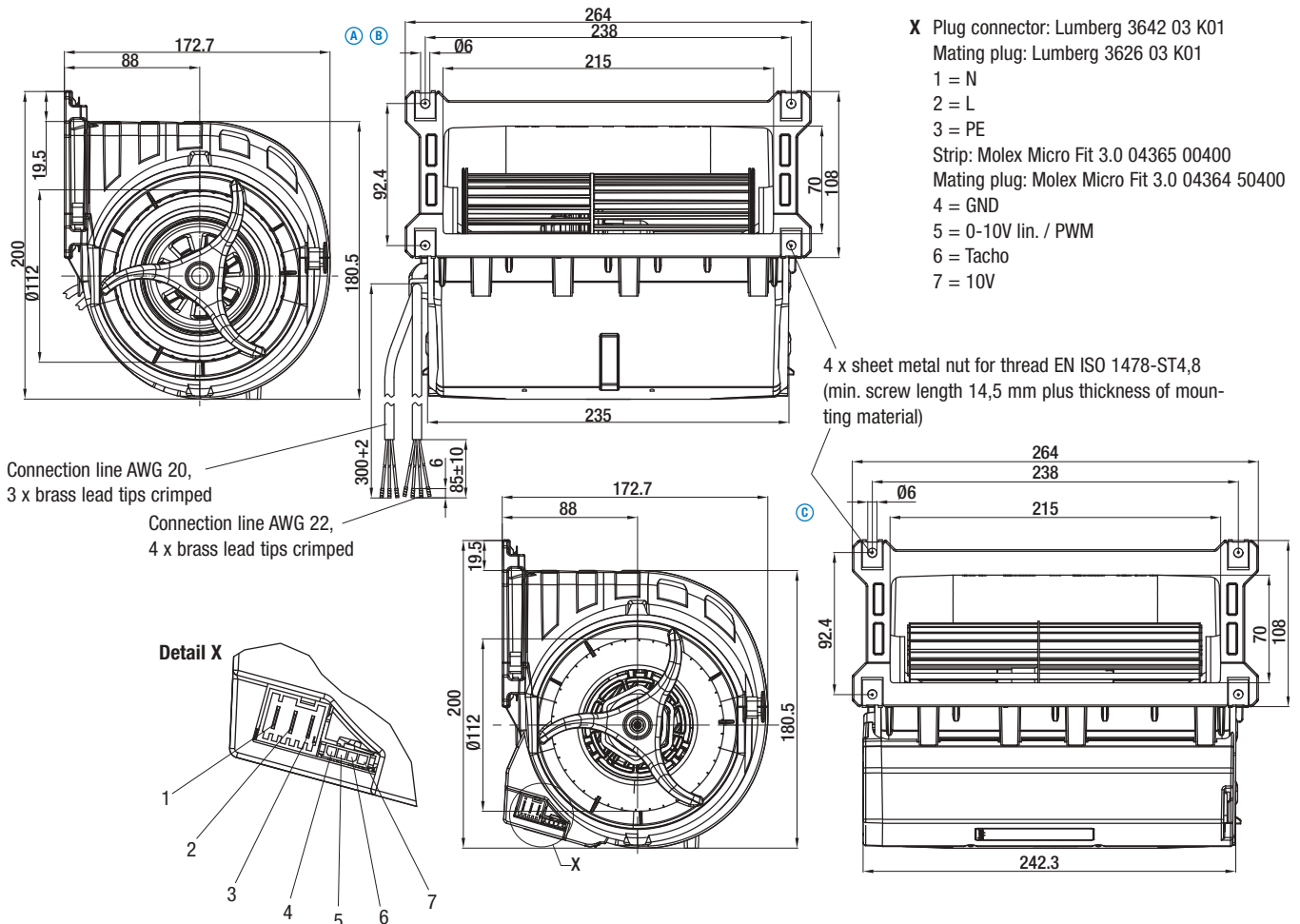


Mass

Centrifugal fan with housing & flange

kg

D3G 133-LT13 -01	2,3
D3G 133-LU01 -01	2,5
D3G 133-LV13 -01	2,7



EC centrifugal fan combination

forward curved, dual inlet, with housing, Ø 133



- **Material:** Housing: Plastic PP, black
Impeller: Plastic PA 6, fibreglass-reinforced
Rotor: Galvanised
Electronics housing: Plastic PP, black
- **Direction of rotation:** Clockwise, seen on rotor
- **Type of protection:** IP 44
- **Insulation class:** "F"
- **Mounting position:** Any
- **Condensate discharges:** None, open rotor
- **Mode of operation:** Continuous operation (S1)
- **Design:** Motor anti-vibration mounted on both sides
- **Bearings:** Maintenance-free ball bearings

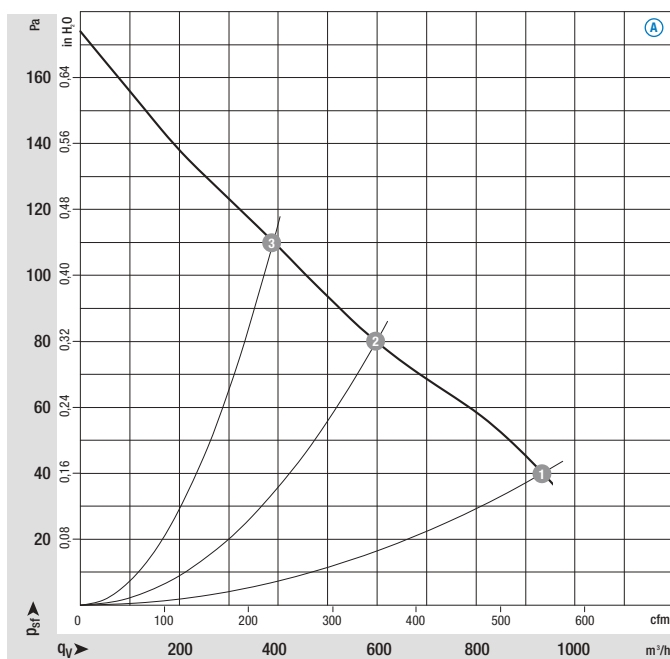
Nominal data

Type	Motor	Curve	Nominal voltage range VAC	Frequency Hz	Speed/rpm ⁽¹⁾ rpm	Max. input power ⁽¹⁾ W	Max. current draw ⁽¹⁾ A	Min. back pressure Pa	Perm. amb. temp. °C	Electr. connection p. 34
K3G 133	M3G 055-DF	Ⓐ	1~ 200-240	50/60	1280	69	0,56	40	-25..+50	H6)

subject to alterations

(1) Nominal data in operating point with maximum load and 230 VAC

Curves



Air performance measured as per: ISO 5801, Installation category A, in ebm-papst scroll housing and without protection against accidental contact

Suction-side noise levels: L_{wA} as per ISO 13347, L_pA measured at 1 m distance to fan axis

The acoustic values given are only valid under the measurement conditions listed and may vary depending on the installation situation.

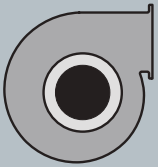
With any deviation to the standard setup, the specific values have to be checked and reviewed once installed or fitted!

For detailed information see page 36 ff.

	n rpm	P _e W	I A	L _{wA} dB(A)
Ⓐ 1	1280	69	0,56	60
Ⓐ 2	1460	54	0,45	61
Ⓐ 3	1595	44	0,37	61

- **Technical features:**
 - Control input 0-10 VDC / PWM
 - Output 10 VDC max. 1,1 mA
- **Motor protection:** TOP wired internally
- **EMC:** Interference emission acc. to EN 61000-6-3
Interference immunity acc. to EN 61000-6-2
Harmonics acc. to EN 61000-3-2
- **Leakage current:** $\leq 3,5$ mA acc. to EN 60335-1
- **Connection leads:** Via plug
- **Protection class:** I
- **Product conforming to standards:** EN 60335-1

- Tach output
- Motor current limitation
- Soft start



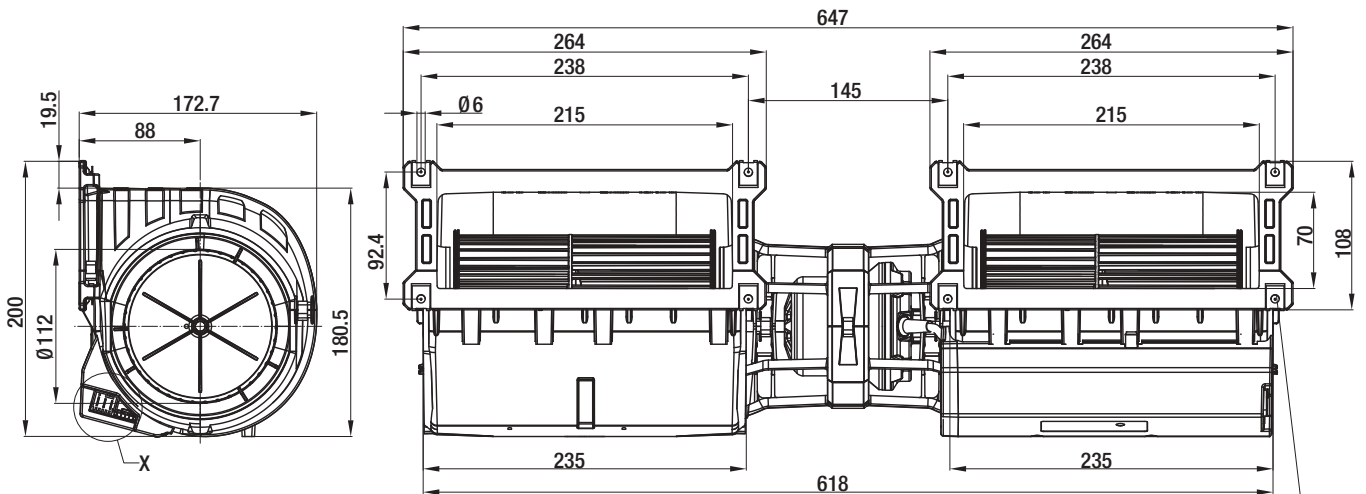
Mass

Centrifugal fan with housing & flange

kg

K3G 133-LR15 -01

3,6



X

Plug connector: Lumberg 3642 03 K01

Mating plug: Lumberg 3626 03 K01

1 = N

2 = L

3 = PE

Strip: Molex Micro Fit 3.0 04365 00400

Mating plug: Molex Micro Fit 3.0 04364 50400

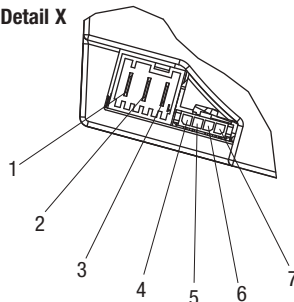
4 = GND

5 = 0-10V lin. / PWM

6 = Tacho

7 = 10V

Detail X



4 x sheet metal nut for thread EN ISO 1478-ST4,8 (min. screw length 14,5 mm plus thickness of mounting material)

EC centrifugal fans

forward curved, dual inlet, with housing, Ø 146



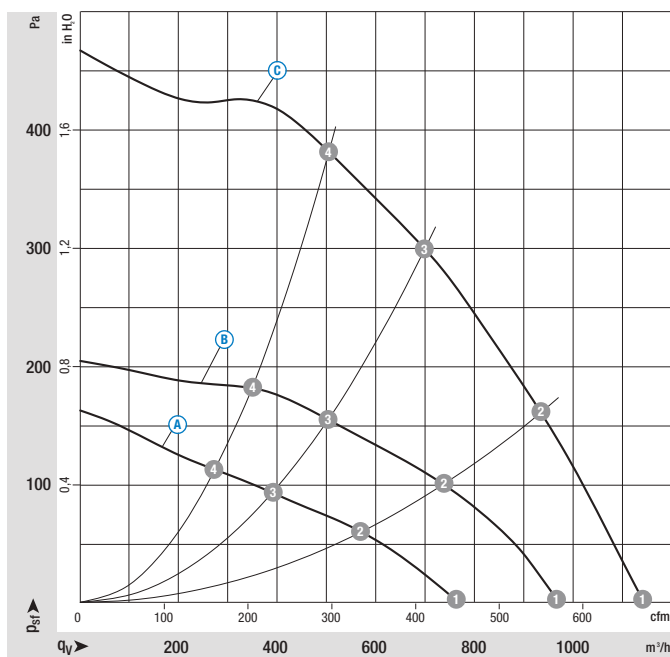
- **Material:** Housing: Plastic PP, black
Impeller: Plastic PA 6, fibreglass-reinforced; Ⓢ Hot-dip galvanised sheet steel
Rotor: Galvanised
Electronics housing: Plastic PP, black
- **Direction of rotation:** Counter-clockwise, seen on rotor
- **Type of protection:** IP 44
- **Insulation class:** "F"
- **Mounting position:** Any
- **Condensate discharges:** None, open rotor
- **Mode of operation:** Continuous operation (S1)
- **Design:** Motor anti-vibration mounted on both sides
- **Bearings:** Maintenance-free ball bearings

Nominal data		Curve	Nominal voltage range	Frequency	Speed/rpm ⁽¹⁾	Max. input power ⁽¹⁾	Max. current draw ⁽¹⁾	Min. back pressure	Perm. amb. temp.	Electr. connection
Type	Motor	VAC	Hz	rpm	W	A	Pa	°C	p. 34	
D3G 146	M3G 055-BI	Ⓐ	1~ 200-240	50/60	1050	55	0,50	0	-25..+50	H6)
D3G 146	M3G 055-CF	Ⓑ	1~ 200-240	50/60	1330	100	0,80	0	-25..+50	H6)
D3G 146	M3G 055-DF	Ⓒ	1~ 200-240	50/60	1550	182	1,40	0	-25..+50	H6)

subject to alterations

(1) Nominal data in operating point with maximum load and 230 VAC

Curves



Air performance measured as per: ISO 5801, Installation category A, in ebm-papst scroll housing and without protection against accidental contact

Suction-side noise levels: L_{wA} as per ISO 13347, L_{pA} measured at 1 m distance to fan axis

The acoustic values given are only valid under the measurement conditions listed and may vary depending on the installation situation.

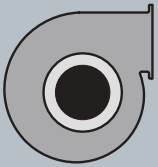
With any deviation to the standard setup, the specific values have to be checked and reviewed once installed or fitted!

For detailed information see page 36 ff.

	n rpm	P _e W	I A	L _{wA} dB(A)
Ⓐ 1	1050	55	0,50	63
Ⓐ 2	1220	45	0,40	59
Ⓐ 3	1350	35	0,31	58
Ⓐ 4	1435	29	0,26	58
Ⓑ 1	1330	100	0,80	68
Ⓑ 2	1575	87	0,72	65
Ⓑ 3	1730	66	0,57	64
Ⓑ 4	1810	54	0,48	64
Ⓒ 1	1550	182	1,40	75
Ⓒ 2	1940	179	1,40	73
Ⓒ 3	2335	177	1,39	73
Ⓒ 4	2600	174	1,37	75

- **Technical features:**
 - Control input 0-10 VDC / PWM
 - Output 10 VDC max. 1,1 mA
- **Motor protection:** TOP wired internally
- **EMC:**
 - (A) (B) Interference emission acc. to EN 61000-6-3
 - (C) Interference emission acc. to EN 61000-6-4
 - (A) (B) (C) Interference immunity acc. to EN 61000-6-2
 - (A) (B) Harmonics acc. to EN 61000-3-2
- **Leakage current:** <= 3,5 mA acc. to EN 60335-1
- **Connection leads:** Via plug
- **Protection class:** I
- **Product conforming to standards:** EN 60335-1

- Tach output
- Motor current limitation
- Soft start

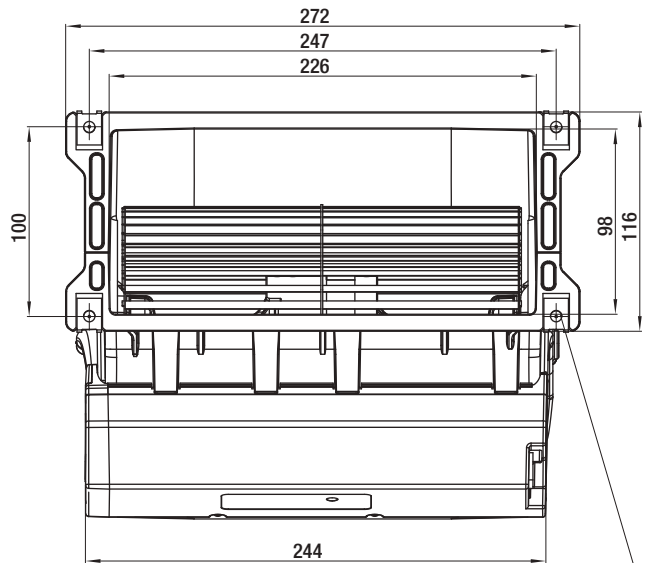
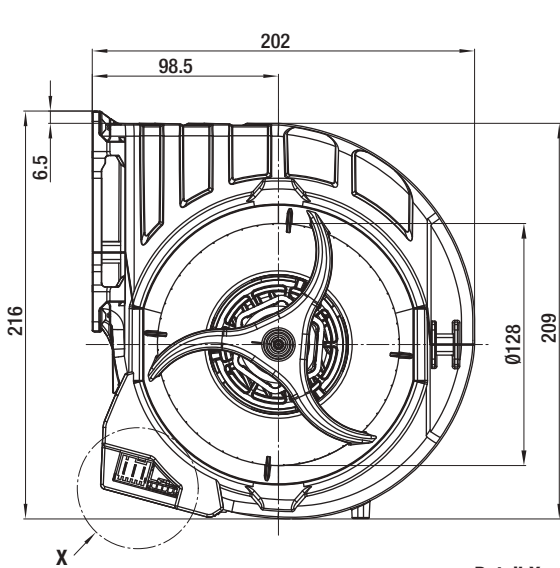


Mass

Centrifugal fan with housing & flange

kg

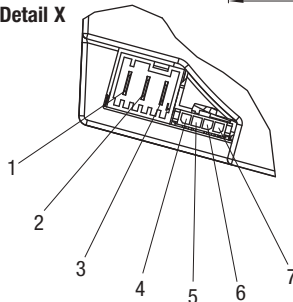
D3G 146-LT13 -01	2,5
D3G 146-LU03 -01	2,7
D3G 146-LV13 -01	2,9



Plug connector: Lumberg 3642 03 K01
 Mating plug: Lumberg 3626 03 K01
 1 = N
 2 = L
 3 = PE

Strip: Molex Micro Fit 3.0 04365 00400
 Mating plug: Molex Micro Fit 3.0 04364 50400
 4 = GND
 5 = 0-10V lin. / PWM
 6 = Tacho
 7 = 10V

Detail X



4 x sheet metal nut for thread EN ISO 1478-ST4,8
 (min. screw length 14,5 mm plus thickness of mounting material)

EC centrifugal fans

forward curved, dual inlet, with housing, Ø 146



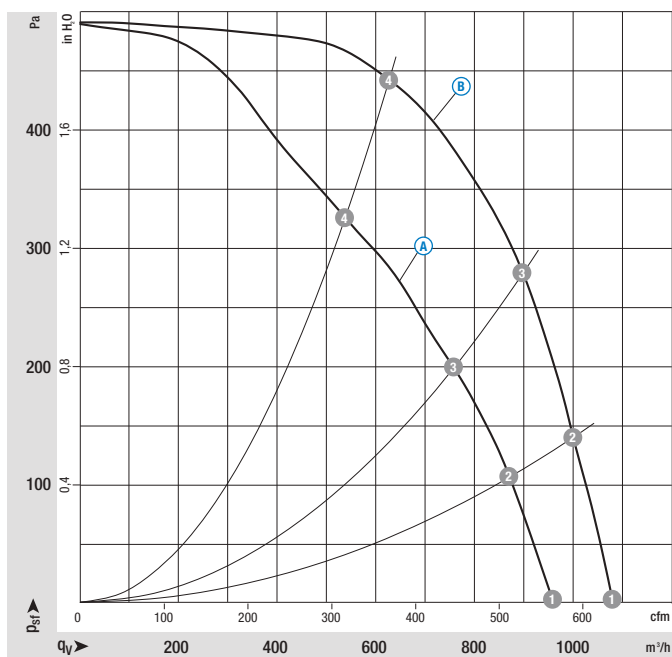
- **Material:** Housing: Plastic PP, black
Impeller: Plastic PP, white
Rotor: Galvanised
Electronics housing: Plastic PP, black
- **Direction of rotation:** Counter-clockwise, seen on rotor
- **Type of protection:** IP 44
- **Insulation class:** "F"
- **Mounting position:** Any
- **Condensate discharges:** None, open rotor
- **Mode of operation:** Continuous operation (S1)
- **Design:** Motor anti-vibration mounted on both sides
- **Bearings:** Maintenance-free ball bearings

Nominal data		Curve	Nominal voltage range	Frequency	Speed/rpm ⁽¹⁾	Max. input power ⁽¹⁾	Max. current draw ⁽¹⁾	Min. back pressure	Perm. amb. temp.	Electr. connection
Type	Motor	VAC	Hz	rpm	W	A	Pa	°C	p. 33	
D3G 146	M3G 055-DF	Ⓐ	1~ 200-240	50/60	1830	165	1,30	0	-25..+50	H5)
D3G 146	M3G 055-DF	Ⓑ	1~ 200-240	50/60	2400	230	1,80	0	-25..+50	H5)

subject to alterations

(1) Nominal data in operating point with maximum load and 230 VAC Ⓐ at 100 Pa and Ⓑ at 270 Pa)

Curves



Air performance measured as per: ISO 5801, Installation category A, in ebm-papst scroll housing and without protection against accidental contact

Suction-side noise levels: L_{wA} as per ISO 13347, L_{pA} measured at 1 m distance to fan axis

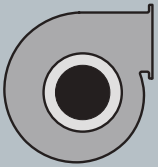
The acoustic values given are only valid under the measurement conditions listed and may vary depending on the installation situation.

With any deviation to the standard setup, the specific values have to be checked and reviewed once installed or fitted!

For detailed information see page 36 ff.

	n rpm	P _e W	I A	L _{wA} dB(A)
Ⓐ 1	1610	165	1,30	70
Ⓐ 2	1830	165	1,30	69
Ⓐ 3	2005	152	1,20	68
Ⓐ 4	2280	124	1,00	69
Ⓑ 1	1790	189	1,47	73
Ⓑ 2	2110	216	1,65	72
Ⓑ 3	2400	230	1,80	71
Ⓑ 4	2670	182	1,42	72

- **Technical features:**
 - Control input 0-10 VDC / PWM
 - Output 10 VDC max. 1,1 mA
 - Over-temperature protected motor
 - **Motor protection:** TOP wired internally
 - **EMC:** Interference immunity acc. to EN 61000-6-2
 - **Leakage current:** <= 3,5 mA acc. to EN 60335-1
 - **Connection leads:** Via plug
 - **Protection class:** I
 - **Product conforming to standards:** EN 60335-1, CE
 - **Approvals:** VDE, UL are applied for
- Tach output
 - Motor current limitation
 - Soft start



Mass

Centrifugal fan with housing & flange

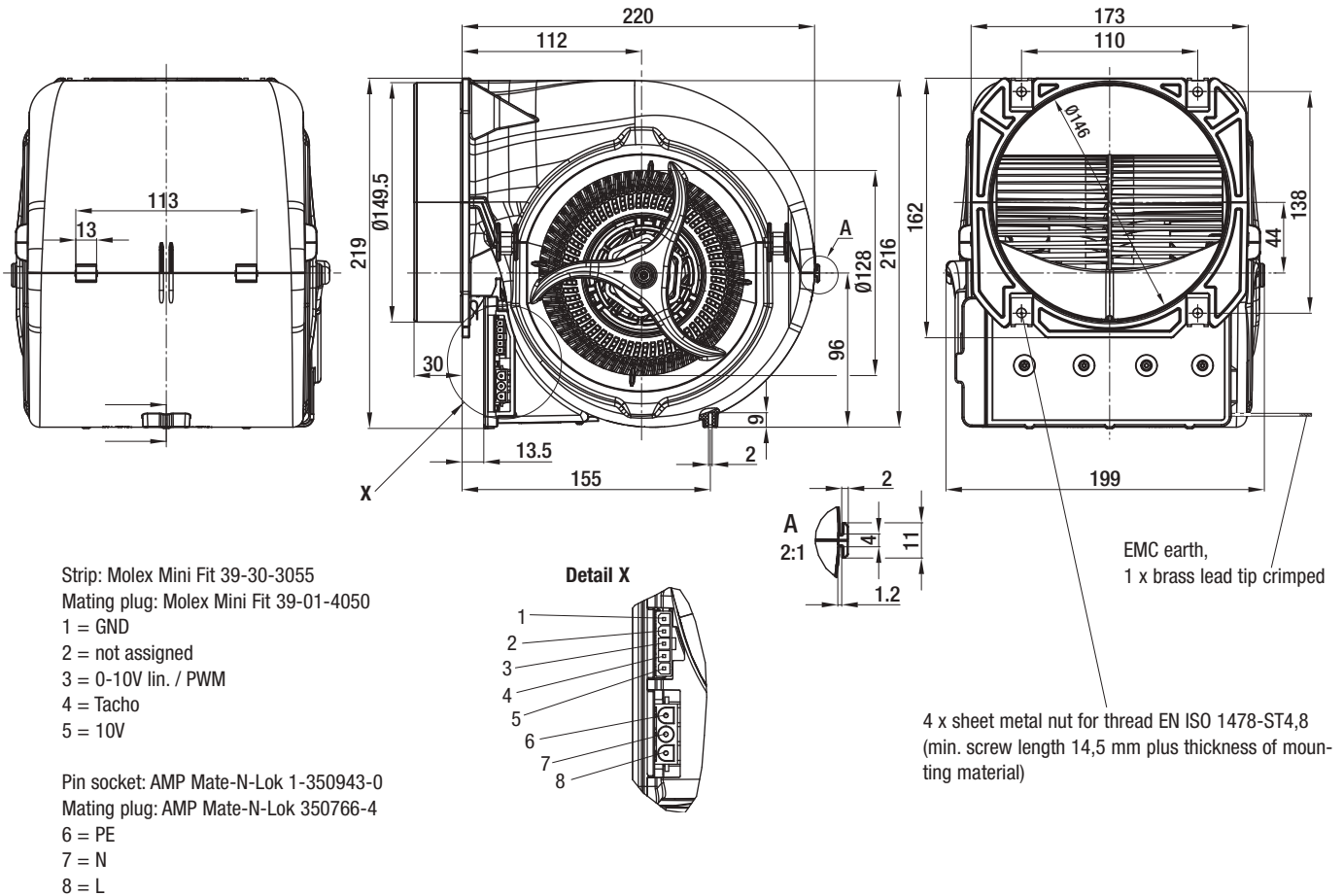
kg

D3G 146-HQ01 -01

2,4

D3G 146-HQ13 -04

2,4



EC centrifugal fan combinations

forward curved, dual inlet, with housing, Ø 146



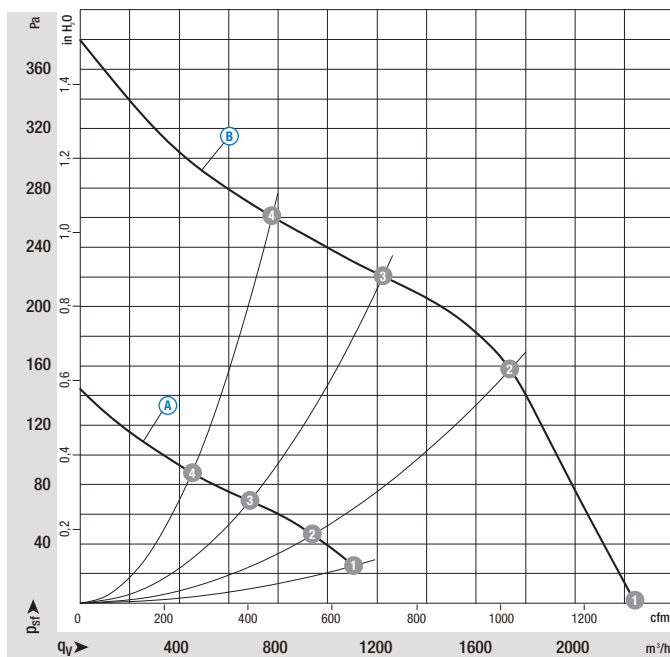
- **Material:** Housing: Plastic PP, black
Impeller: Plastic PA 6, fibreglass-reinforced
Rotor: Galvanised
Electronics housing: Plastic PP, black
- **Direction of rotation:** Clockwise, seen on rotor
- **Type of protection:** IP 44
- **Insulation class:** "F"
- **Mounting position:** Any
- **Condensate discharges:** None, open rotor
- **Mode of operation:** Continuous operation (S1)
- **Design:** Motor anti-vibration mounted on both sides
- **Bearings:** Maintenance-free ball bearings

Nominal data		Curve	Nominal voltage range	Frequency	Speed/rpm ⁽¹⁾	Max. input power ⁽¹⁾	Max. current draw ⁽¹⁾	Min. back pressure	Perm. amb. temp.	Electr. connection
Type	Motor		VAC	Hz	rpm	W	A	Pa	°C	p. 34
K3G 146	M3G 055-DF	Ⓐ	1~ 200-240	50/60	910	60	0,50	25	-25..+50	H6)
K3G 146	M3G 074-DF	Ⓑ	1~ 200-240	50/60	1430	245	1,90	0	-25..+40	H6)

subject to alterations

(1) Nominal data in operating point with maximum load and 230 VAC

Curves



Air performance measured as per: ISO 5801, Installation category A, in ebm-papst scroll housing and without protection against accidental contact

Suction-side noise levels: L_{WA} as per ISO 13347, L_{pA} measured at 1 m distance to fan axis

The acoustic values given are only valid under the measurement conditions listed and may vary depending on the installation situation.

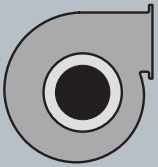
With any deviation to the standard setup, the specific values have to be checked and reviewed once installed or fitted!

For detailed information see page 36 ff.

	n rpm	P _e W	I A	L _{WA} dB(A)
Ⓐ 1	910	60	0,50	57
Ⓐ 2	1005	54	0,49	56
Ⓐ 3	1120	45	0,41	56
Ⓐ 4	1245	37	0,35	57
Ⓑ 1	1430	245	1,90	75
Ⓑ 2	1815	244	1,88	72
Ⓑ 3	1955	199	1,57	71
Ⓑ 4	2090	154	1,25	72

- **Technical features:**
 - Control input 0-10 VDC / PWM
 - Output 10 VDC max. 1,1 mA
- **Motor protection:** TOP wired internally
- **EMC:**
 - Ⓐ Interference emission acc. to EN 61000-6-3
 - Ⓐ Ⓑ Interference immunity acc. to EN 61000-6-2
 - Ⓐ Harmonics acc. to EN 61000-3-2
- **Leakage current:** <= 3,5 mA acc. to EN 60335-1
- **Connection leads:** Via plug
- **Protection class:** I
- **Product conforming to standards:** EN 60335-1

- Tach output
- Motor current limitation
- Soft start



Mass

Centrifugal fan with housing & flange

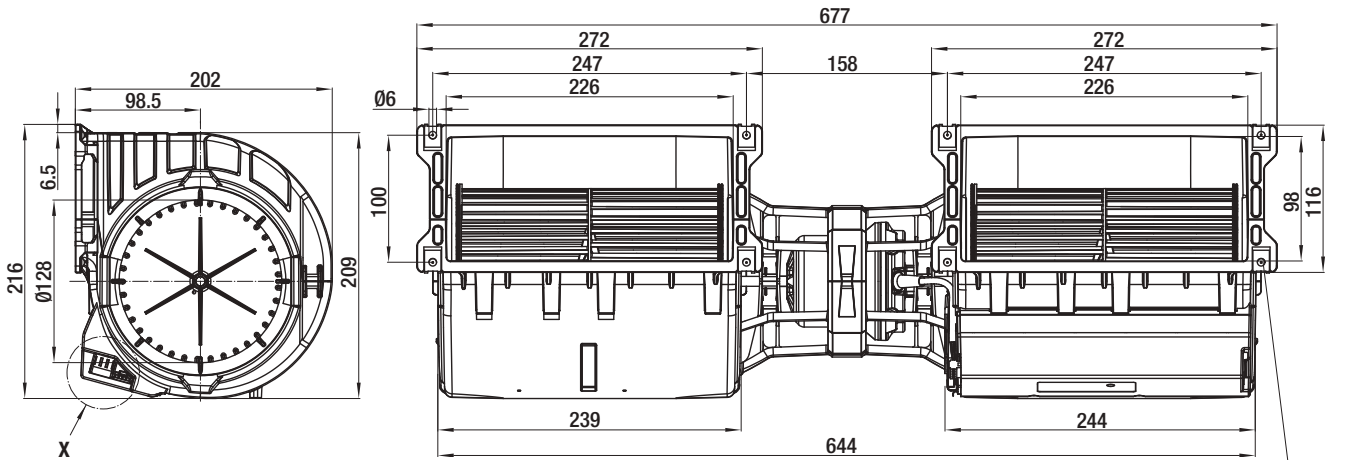
kg

K3G 146-AC15 -01

3,5

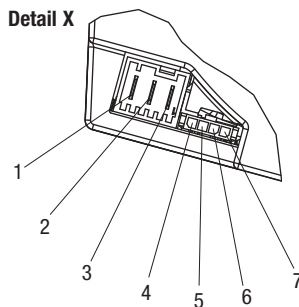
K3G 146-AD01 -01

4,7



Plug connector: Lumberg 3642 03 K01
 Mating plug: Lumberg 3626 03 K01
 1 = N
 2 = L
 3 = PE

Strip: Molex Micro Fit 3.0 04365 00400
 Mating plug: Molex Micro Fit 3.0 04364 50400
 4 = GND
 5 = 0-10V lin. / PWM
 6 = Tacho
 7 = 10V



8 x sheet metal nut for thread EN ISO 1478-ST4,8
 (min. screw length 14,5 mm plus thickness of mounting material)

EC centrifugal fan

backward curved, Ø 280



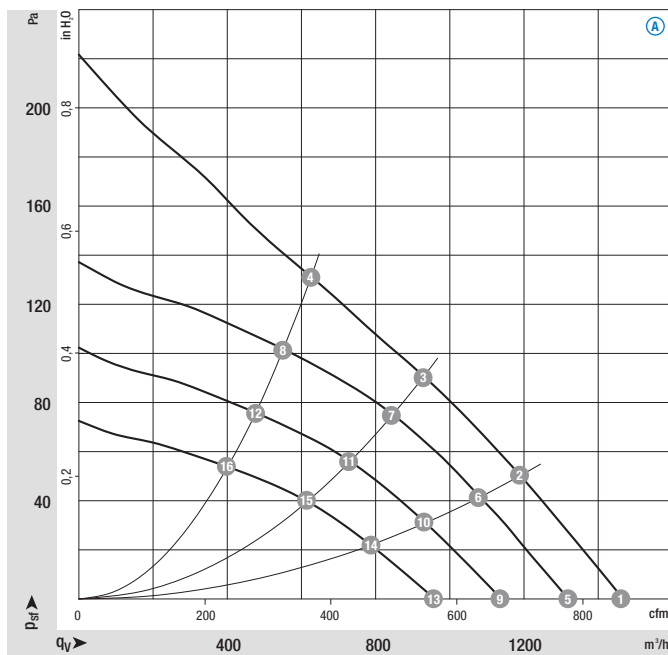
- **Material:** Impeller: Plastic PA 6, fibreglass-reinforced
Rotor: Thick layer passivated
Electronics housing: Die-cast aluminium
- **Number of blades:** 9
- **Direction of rotation:** Counter-clockwise, seen on rotor
- **Type of protection:** IP 54
- **Insulation class:** "B"
- **Mounting position:** Any
- **Condensate discharges:** None, open rotor
- **Mode of operation:** Continuous operation (S1)
- **Bearings:** Maintenance-free ball bearings

Nominal data		Curve	Nominal voltage range	Frequency	Speed/rpm ⁽¹⁾	Max. input power ⁽¹⁾	Max. current draw ⁽¹⁾	Perm. amb. temp.	Electr. connection
Type	Motor	VAC	Hz	rpm	W	A	°C	p. 32	
R3G 280	M3G 055-DF	Ⓐ	1~ 200-240	50/60	1220	74	0,64	-25..+60	H4)

subject to alterations

(1) Nominal data in operating point with maximum load and 230 VAC

Curves



Air performance measured as per: ISO 5801, Installation category A, in ebm-papst full nozzle and without protection against accidental contact

Suction-side noise levels: L_{WA} as per ISO 13347, L_{WA} measured at 1 m distance to fan axis

The acoustic values given are only valid under the measurement conditions listed and may vary depending on the installation situation.

With any deviation to the standard setup, the specific values have to be checked and reviewed once installed or fitted!

For detailed information see page 36 ff.

	n rpm	P _e W	I A	L _{WA} dB(A)
Ⓐ 1	1225	70	0,61	63
Ⓐ 2	1220	72	0,64	60
Ⓐ 3	1220	74	0,64	60
Ⓐ 4	1250	66	0,58	62
Ⓐ 5	1100	51	0,44	61
Ⓐ 6	1100	54	0,48	58
Ⓐ 7	1100	55	0,48	57
Ⓐ 8	1100	45	0,40	59
Ⓐ 9	950	33	0,28	58
Ⓐ 10	950	35	0,31	54
Ⓐ 11	950	35	0,31	54
Ⓐ 12	950	29	0,26	56
Ⓐ 13	800	19	0,17	54
Ⓐ 14	800	21	0,18	51
Ⓐ 15	800	21	0,18	51
Ⓐ 16	800	17	0,15	52

- **Technical features:**
 - Control input 0-10 VDC / PWM
 - Output 10 VDC max. 1,1 mA
 - Over-temperature protected electronics / motor
- **Motor protection:** Locked-rotor protection
- **EMC:** Interference emission acc. to EN 61000-6-3 (household environment)
Interference immunity acc. to EN 61000-6-2 (industrial environment)
Harmonics acc. to EN 61000-3-2/3
- **Leakage current:** $\leq 3,5$ mA acc. to EN 60335-1
- **Cable exit:** variable
- **Protection class:** I
- **Product conforming to standards:** EN 60335-1
- **Approvals:** VDE, CUL, GOST are applied for

- Tach output
- Line undervoltage detection
- Soft start



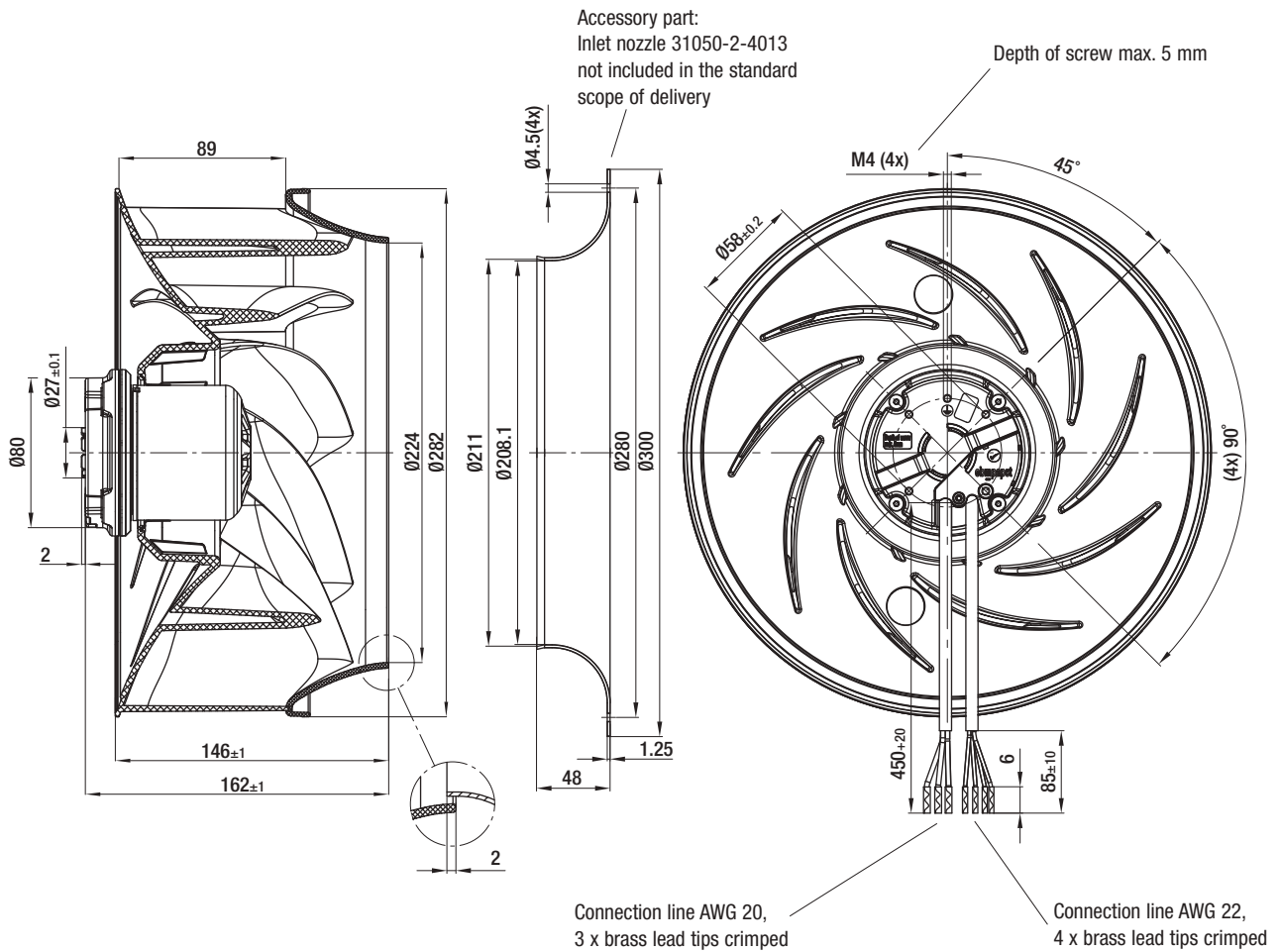
Mass

Centrifugal fan

kg

R3G 280-AP03 -03

2,5



AC centrifugal fans

forward curved, dual inlet, with housing, Ø 133

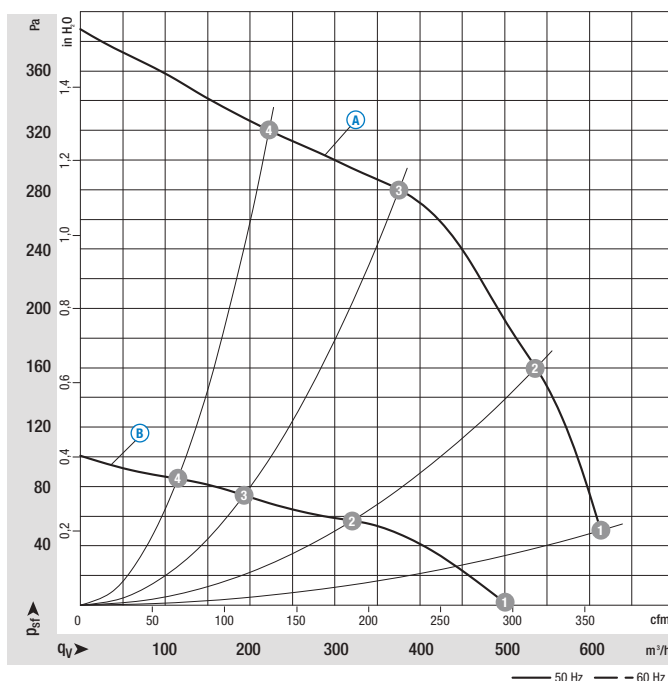


- **Material:** Housing: Plastic PP, black
Impeller: (A) Plastic PA, black (B) Galvanised sheet steel
Rotor: Partially cast in aluminium
- **Direction of rotation:** Counter-clockwise, seen on rotor
- **Type of protection:** IP 44
- **Insulation class:** "F"
- **Mounting position:** Any
- **Condensate discharges:** None
- **Mode of operation:** Continuous operation (S1)
- **Design:** Centrifugal fan with housing, SAL-Motor anti-vibration mounted on both sides
- **Bearings:** Maintenance-free ball bearings

Nominal data		Curve	Nominal voltage range	Frequency	Flow rate	Speed/rpm	Input power	Current draw	Capacitor capacity	Min. back pressure	Perm. amb. temp.	Electr. connection
Type	Motor		VAC	Hz	m³/h	rpm	W	A	µF/VDB	Pa	°C	
D2E 133	M2E 068-DF	(A)	1~ 230	50	610	1600	170	0,74	2,5/450	50	-25..+65	---
			1~ 230	60	500	1770	170	0,75	2,5/450	100	-25..+50	---
D4E 133	M4E 068-BF	(B)	1~ 230	50	500	1150	60	0,27	2,0/400	0	-25..+50	---
			1~ 230	60	530	1250	70	0,32	2,0/400	0	-25..+55	---

subject to alterations

Curves



Air performance measured as per: ISO 5801, Installation category A, in ebm-papst scroll housing and without protection against accidental contact

Suction-side noise levels: L_WA as per ISO 13347, L_pA measured at 1 m distance to fan axis

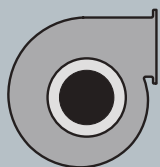
The acoustic values given are only valid under the measurement conditions listed and may vary depending on the installation situation.

With any deviation to the standard setup, the specific values have to be checked and reviewed once installed or fitted!

For detailed information see page 36 ff.

	n rpm	P _e W	I A	L _W A dB(A)
(A) 1	1600	170	0,74	67
(A) 2	2090	146	0,64	69
(A) 3	2510	112	0,49	70
(A) 4	2680	91	0,40	71
(B) 1	1150	60	0,27	59
(B) 2	1290	57	0,25	55
(B) 3	1360	55	0,24	57
(B) 4	1395	55	0,24	57

- **Motor protection:** TOP wired internally
- **Cable exit:** variable
- **Protection class:** I
- **Product conforming to standards:** EN 60335-1, CE



Mass

Centrifugal fan with housing & flange

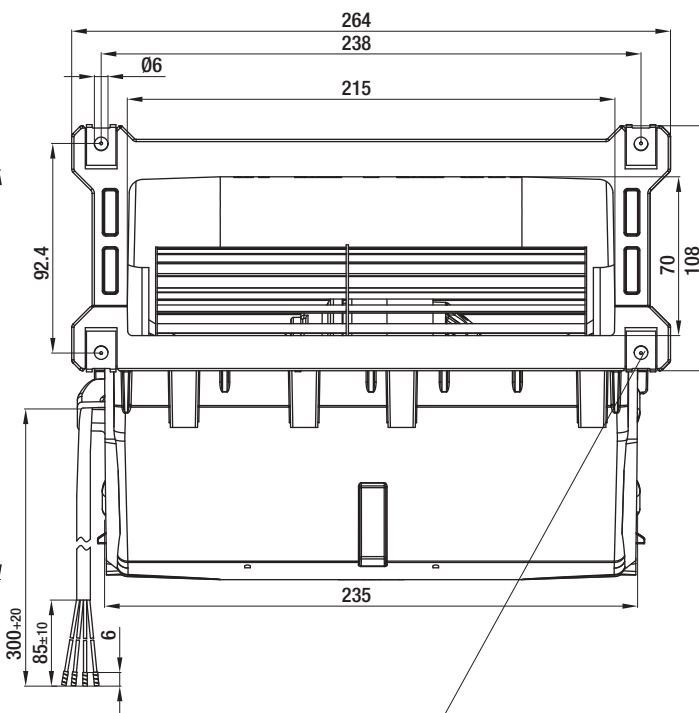
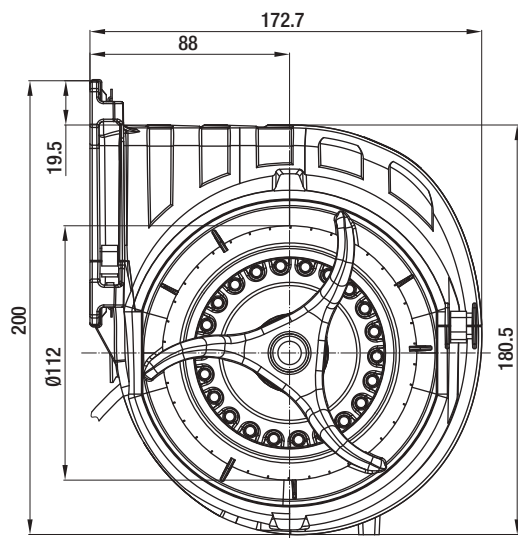
kg

D2E 133-LM34 -01

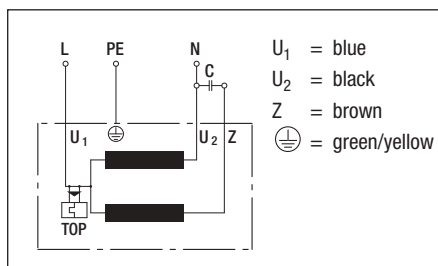
3,3

D4E 133-LH05 -01

3,0



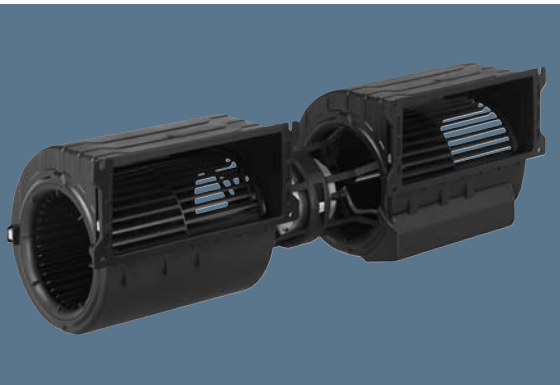
Electr. connection



4 x sheet metal nut for thread EN ISO 1478-ST4,8 (min. screw length 14,5 mm plus thickness of mounting material)

AC centrifugal fan combination

forward curved, dual inlet, with housing, Ø 133

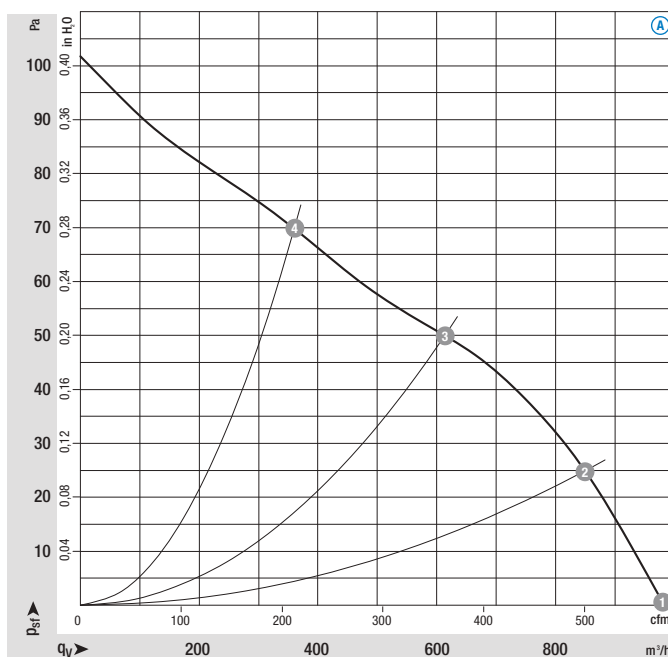


- **Material:** Housing: Plastic PP, black
Impeller: Plastic PA, black
Rotor: Partially cast in aluminium
- **Direction of rotation:** Clockwise, seen on rotor
- **Type of protection:** IP 44
- **Insulation class:** "F"
- **Mounting position:** Any
- **Condensate discharges:** None
- **Mode of operation:** Continuous operation (S1)
- **Design:** Centrifugal fan combination with housing and integrated terminal box, SAL-Motor anti-vibration mounted on both sides
- **Bearings:** Maintenance-free ball bearings

Nominal data		Curve	Nominal voltage range	Frequency	Flow rate	Speed/rpm	Input power	Current draw	Capacitor capacity	Min. back pressure	Perm. amb. temp.	Electr. connection
Type	Motor		VAC	Hz	m³/h	rpm	W	A	µF/VDB	Pa	°C	
K4E 133	M4E 068-DF	Ⓐ	1~ 230	50	980	1000	78	0,35	2,5/400	0	-25..+60	---

subject to alterations

Curves



Air performance measured as per: ISO 5801, Installation category A, in ebm-papst scroll housing and without protection against accidental contact

	n rpm	P _e W	I A	L _{wA} dB(A)
Ⓐ 1	1000	78	0,35	59
Ⓐ 2	1100	74	0,32	57
Ⓐ 3	1215	68	0,30	55
Ⓐ 4	1305	62	0,27	54

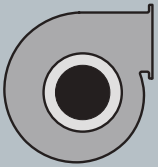
Suction-side noise levels: L_{wA} as per ISO 13347, L_{pA} measured at 1 m distance to fan axis

The acoustic values given are only valid under the measurement conditions listed and may vary depending on the installation situation.

With any deviation to the standard setup, the specific values have to be checked and reviewed once installed or fitted!

For detailed information see page 36 ff.

- **Motor protection:** TOP wired internally
- **Cable exit:** variable
- **Protection class:** I
- **Product conforming to standards:** EN 60335-1, CE



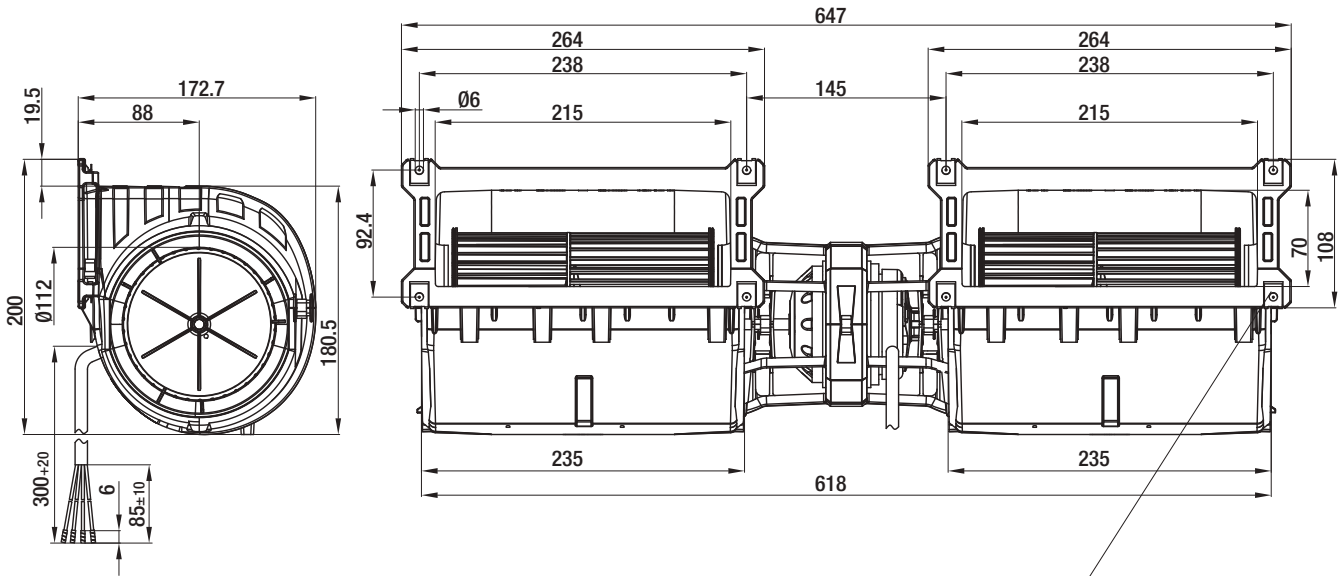
Mass

Centrifugal fan with housing & flange

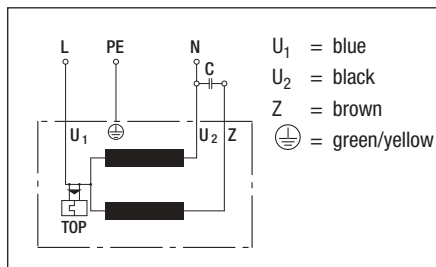
kg

K4E 133-LA69 -02

3,5



Electr. connection



4 x sheet metal nut for thread EN ISO 1478-ST4,8 (min. screw length 14,5 mm plus thickness of mounting material)

AC centrifugal fans

forward curved, dual inlet, with housing, Ø 146

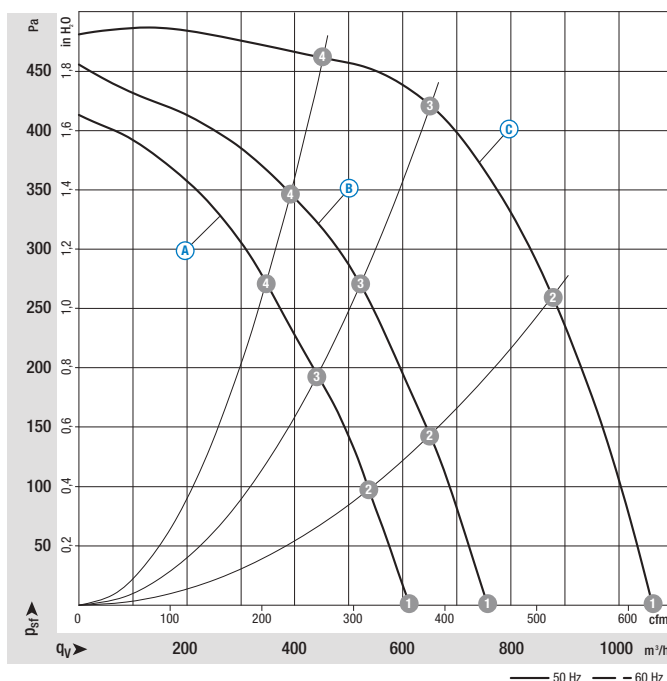


- **Material:** Housing: Plastic PP, black
Impeller: (A) (B) Plastic PP, white (C) Galvanised sheet steel
Rotor: Partially cast in aluminium
Terminal box: Plastic PP, black
- **Direction of rotation:** Counter-clockwise, seen on rotor
- **Type of protection:** IP 20
- **Insulation class:** "F"
- **Mounting position:** Any
- **Condensate discharges:** None
- **Mode of operation:** Continuous operation (S1)
- **Design:** 4-step centrifugal fan with housing and integrated terminal box, EW-Motor anti-vibration mounted on both sides
- **Bearings:** Maintenance-free ball bearings

Nominal data		Curve	Nominal voltage range	Frequency	Flow rate	Speed/rpm	Input power	Current draw	Capacitor capacity	Min. back pressure	Perm. amb. temp.	Electr. connection
Type	Motor		VAC	Hz	m³/h	rpm	W	A	µF/VDB	Pa	°C	
D2E 146	M2E 068-CF	(A)	1~ 230	50	615	1030	140	0,62	3,5/400	0	-25..+50	---
			1~ 230	60	430	1630	145	0,65	3,5/400	150	-25..+45	
D2E 146	M2E 068-DF	(B)	1~ 230	50	755	1350	195	0,86	5,0/400	0	-25..+45	---
			1~ 230	60	580	1750	215	0,94	5,0/400	150	-25..+40	
D2E 146	M2E 068-EC	(C)	1~ 230	50	1060	1850	355	1,55	8,0/450	0	-25..+55	---
			1~ 230	60	875	2100	400	1,75	8,0/450	200	-25..+50	

subject to alterations

Curves



Air performance measured as per: ISO 5801, Installation category A, in ebm-papst scroll housing and without protection against accidental contact



Suction-side noise levels: L_{wA} as per ISO 13347, L_{pA} measured at 1 m distance to fan axis

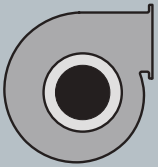
The acoustic values given are only valid under the measurement conditions listed and may vary depending on the installation situation.

With any deviation to the standard setup, the specific values have to be checked and reviewed once installed or fitted!

For detailed information see page 36 ff.

	n rpm	P _e W	I A	L _{wA} dB(A)
(A) 1	1030	140	0,62	60
(A) 2	1420	134	0,58	60
(A) 3	1820	126	0,55	62
(A) 4	2105	117	0,52	65
(B) 1	1350	195	0,86	66
(B) 2	1775	186	0,81	65
(B) 3	2110	173	0,76	66
(B) 4	2350	160	0,71	68
(C) 1	1850	355	1,55	77
(C) 2	2225	305	1,32	73
(C) 3	2470	259	1,13	74
(C) 4	2610	227	0,99	74

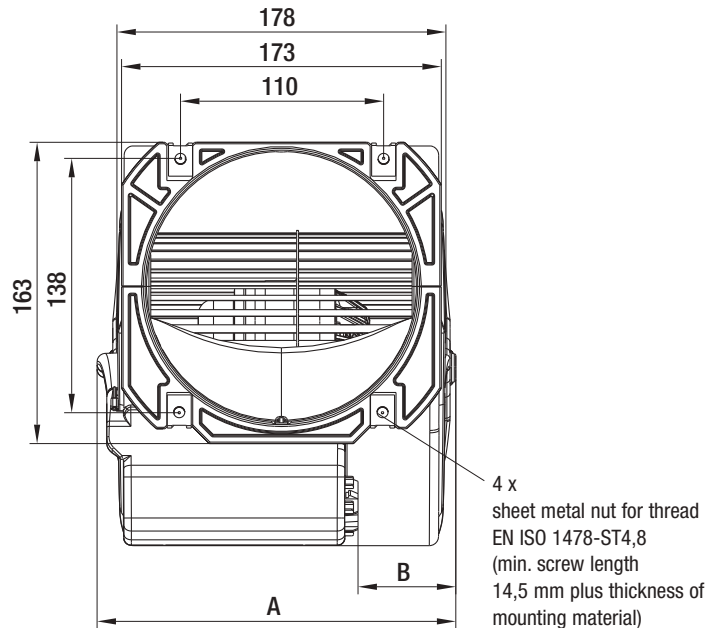
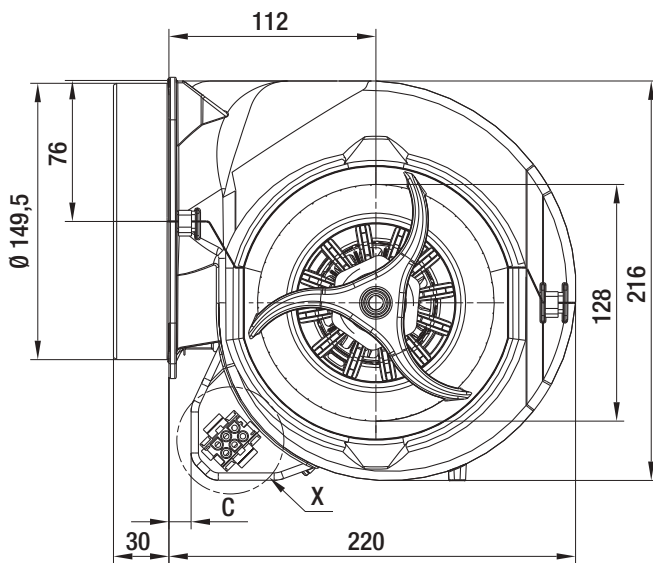
- **Motor protection:** TOP wired internally
- **Connection leads:** Via plug
- **Protection class:** I
- **Capacitor:** FPU (P2) integrated in terminal box completely wired up and ready for plug-in
- **Product conforming to standards:** EN 60335-2-31, CE
- **Approvals:** VDE,   GOST



Mass
Dimensions

Centrifugal fan with housing & flange

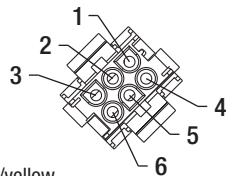
	kg	A	B	C
D2E 146-HR93 -A1	3,0	195	53	12
D2E 146-HS97 -03	3,5	195	53	12
D2E 146-HT67 -02	3,6	199	35	7



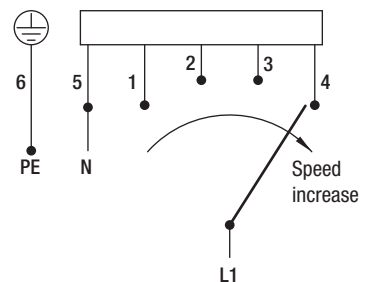
Detail X

AMP Universal Mate-N-Lok coded plug system
Connector shell: AMP 926 682-3
6 x plug pin: AMP 926 886-1

- 1 = Step 1 (min.) white
- 2 = Step 2 red
- 3 = Step 3 grey
- 4 = Step 4 (max.) black
- 5 = N blue
- 6 = Protective earth green/yellow



Electrical connection
When changing speeds, switch must break the circuit.



AC centrifugal fans

forward curved, dual inlet, with housing, Ø 146

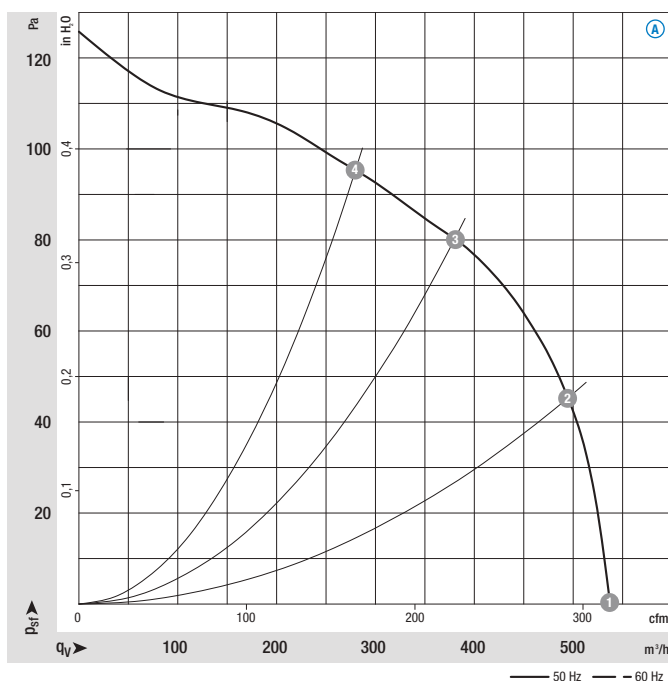


- **Material:** Housing: Plastic PP, black
Impeller: Plastic PA, black
Rotor: Partially cast in aluminium
Terminal box: Plastic PP, black
- **Direction of rotation:** Counter-clockwise, seen on rotor
- **Type of protection:** IP 44
- **Insulation class:** "F"
- **Mounting position:** Any
- **Condensate discharges:** None
- **Mode of operation:** Continuous operation (S1)
- **Design:** 5-step centrifugal fan with housing and integrated terminal box, EW-Motor anti-vibration mounted on both sides
- **Bearings:** Maintenance-free ball bearings

Nominal data		Curve	Nominal voltage range	Frequenz	Flow rate	Speed/rpm	Input power	Current draw	Capacitor capacity	Min. back pressure	Perm. amb. temp.	Electr. connection
Type	Motor		VAC	Hz	m³/h	rpm	W	A	µF/VDB	Pa	°C	
D4E 146	M4E 068-CF	Ⓐ	1~ 230	50	565	780	65	0,29	2,0/400	0	-25..+50	---
			1~ 230	60	510	710	68	0,30	2,0/400	0	-25..+40	

subject to alterations

Curves



Air performance measured as per: ISO 5801, Installation category A, in ebm-papst scroll housing and without protection against accidental contact

	n rpm	P _e W	I A	L _{wA} dB(A)
Ⓐ 1	780	65	0,29	54
Ⓐ 2	1075	58	0,26	56
Ⓐ 3	1270	48	0,21	56
Ⓐ 4	1335	44	0,20	56

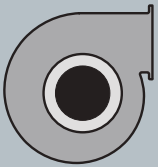
Suction-side noise levels: L_{wA} as per ISO 13347, L_{pA} measured at 1 m distance to fan axis

The acoustic values given are only valid under the measurement conditions listed and may vary depending on the installation situation.

With any deviation to the standard setup, the specific values have to be checked and reviewed once installed or fitted!

For detailed information see page 36 ff.

- **Motor protection:** TOP wired internally
- **Connection leads:** Via plug
- **Protection class:** I
- **Capacitor:** FPU (P2) integrated in terminal box completely wired up and ready for plug-in
- **Product conforming to standards:** EN 60335-1, CE
- **Approvals:** VDE



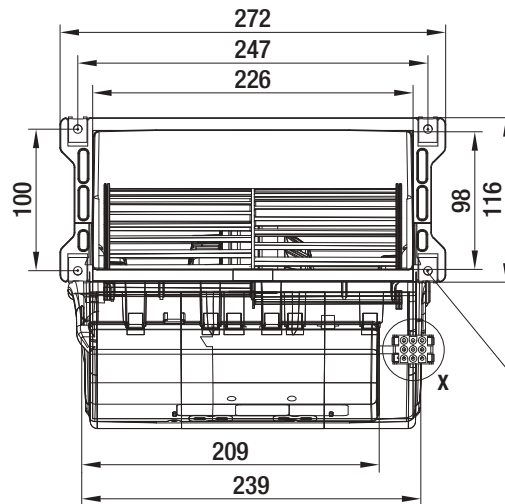
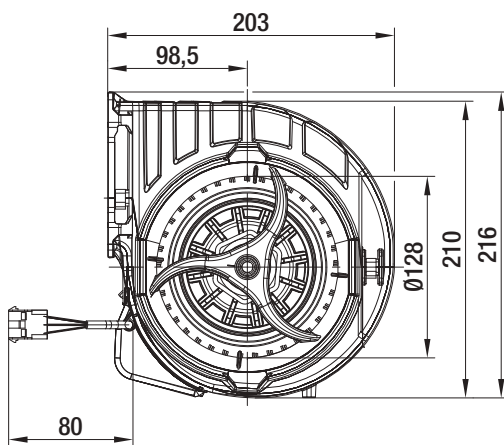
Mass

Centrifugal fan with housing & flange

kg

D4E 146-LV19 -14

2,5

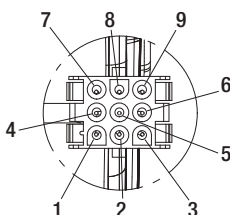


4 x sheet metal nut for thread EN ISO 1478-ST4,8
(min. screw length 14,5 mm plus thickness of mounting material)

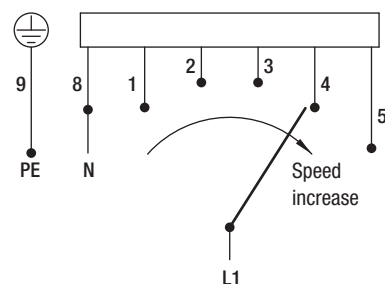
Detail X

AMP Universal Mate-N-Lok coded plug system
Connector shell: AMP 927 231-3
7 x plug pin: AMP 926 886-1

- 1 = Step 1 (min.)
- 2 = Step 2
- 3 = Step 3
- 4 = Step 4
- 5 = Step 5 (max.)
- 8 = N
- 9 = Protective earth

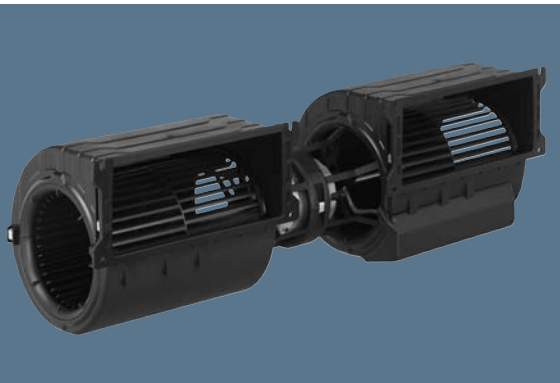


Electrical connection
When changing speeds, switch must break the circuit.



AC centrifugal fan combination

forward curved, dual inlet, with housing, Ø 146

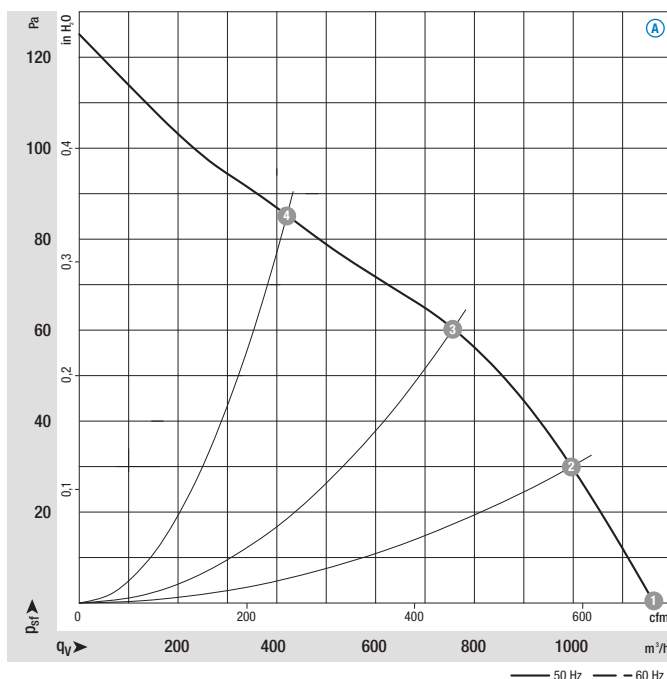


- **Material:** Housing: Plastic PP, black
Impeller: Plastic PA, black
Rotor: Partially cast in aluminium
Terminal box: Plastic PP, black
- **Direction of rotation:** Clockwise, seen on rotor
- **Type of protection:** IP 44
- **Insulation class:** "F"
- **Mounting position:** Any
- **Condensate discharges:** None
- **Mode of operation:** Continuous operation (S1)
- **Design:** 5-step centrifugal fan combination with housing and integrated terminal box, SAL-Motor anti-vibration mounted on both sides
- **Bearings:** Maintenance-free ball bearings

Nominal data		Curve	Nominal voltage range	Frequency	Flow rate	Speed/rpm	Input power	Current draw	Capacitor capacity	Min. back pressure	Perm. amb. temp.	Electr. connection
Type	Motor		VAC	Hz	m³/h	rpm	W	A	µF/VDB	Pa	°C	
K4E 146	M4E 068-DF	Ⓐ	1~ 230	50	1180	750	85	0,38	2,5/450	0	-25..+50	---

subject to alterations

Curves



Air performance measured as per: ISO 5801, Installation category A, in ebm-papst scroll housing and without protection against accidental contact

	n rpm	P _e W	I A	L _{WA} dB(A)
Ⓐ 1	750	85	0,38	57
Ⓐ 2	900	82	0,36	55
Ⓐ 3	1070	75	0,33	55
Ⓐ 4	1235	66	0,29	56

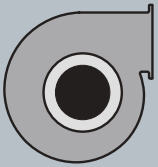
Suction-side noise levels: L_{WA} as per ISO 13347, L_{pA} measured at 1 m distance to fan axis

The acoustic values given are only valid under the measurement conditions listed and may vary depending on the installation situation.

With any deviation to the standard setup, the specific values have to be checked and reviewed once installed or fitted!

For detailed information see page 36 ff.

- **Motor protection:** TOP wired internally
- **Connection leads:** Via plug
- **Protection class:** I
- **Capacitor:** FPU (P2) integrated in terminal box completely wired up and ready for plug-in
- **Product conforming to standards:** EN 60335-1, CE
- **Approvals:** VDE



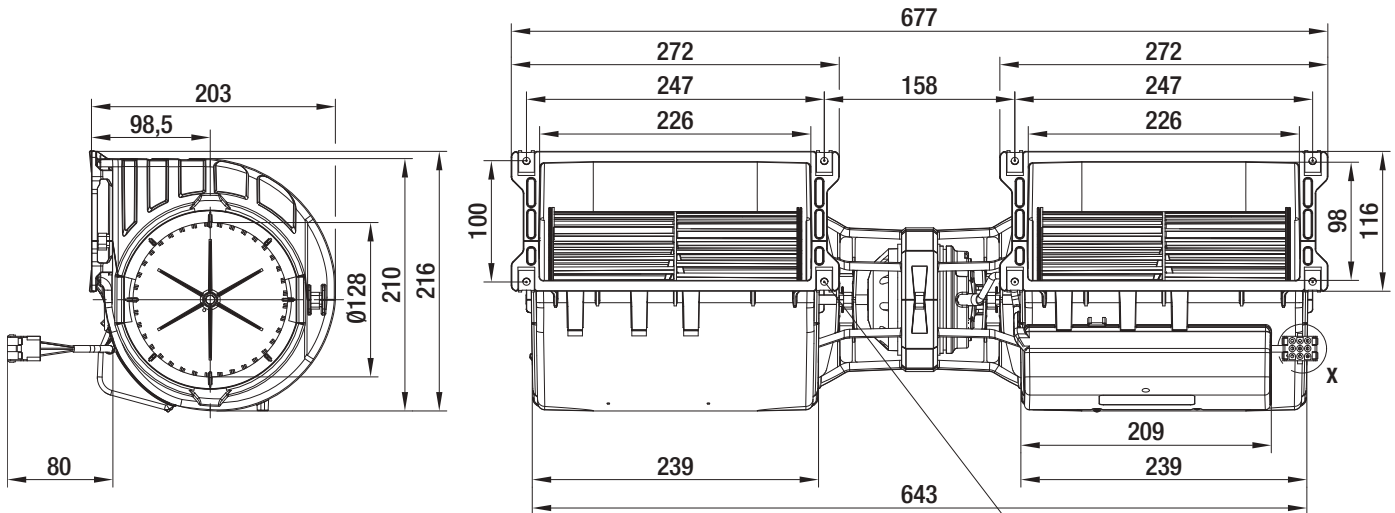
Mass

Centrifugal fan with housing & flange

kg

K4E 146-AB73 -21

4,0

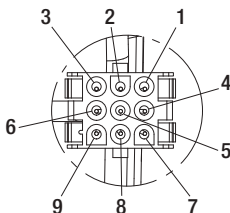


8 x sheet metal nut for thread EN ISO 1478-ST4,8 (min. screw length 14,5 mm plus thickness of mounting material)

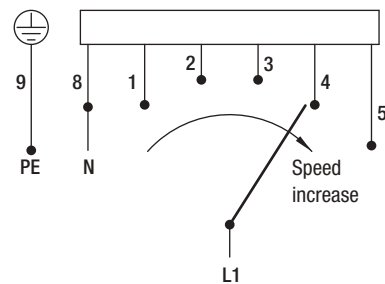
Detail X

AMP Universal Mate-N-Lok coded plug system
 Connector shell: AMP 927 231-3
 7 x plug pin: AMP 926 886-1

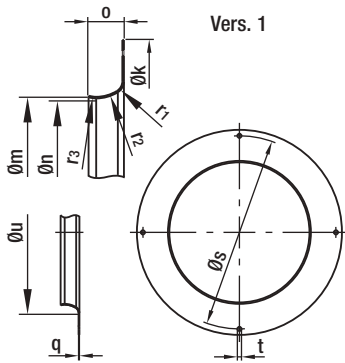
- 1 = Step 1 (min.)
- 2 = Step 2
- 3 = Step 3
- 4 = Step 4
- 5 = Step 5 (max.)
- 8 = N
- 9 = Protective earth



Electrical connection
 When changing speeds, switch must break the circuit.



Inlet nozzles, guard grilles

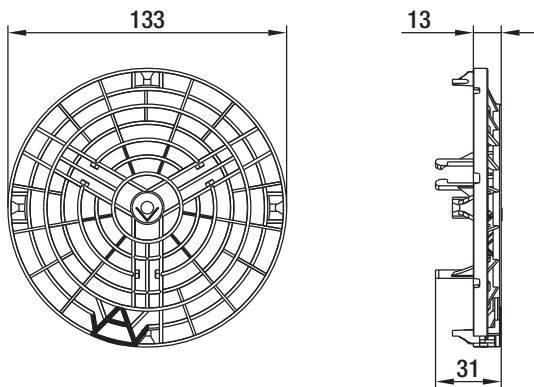


– **Material:** Galvanised sheet steel

Inlet nozzles for backward curved centrifugal fans

Part no.	Size	Vers.	k	m	n	o	q	r ₁	r ₂	r ₃	s	t	u
31050-2-4013	310 (A)	1	300.0	211.0	208.1	48.0	1.25	18.0	55.5	35.0	280.0	4x4.5	256.0

subject to alterations



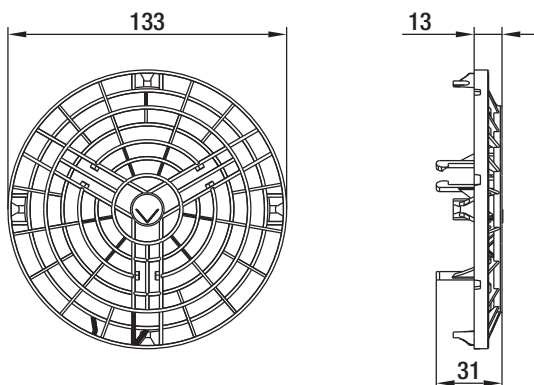
- **Material:** PA plastic 6.6 GV25 V0, black
- **Special feature:** Triangular, raised contour
- **Suitable for:** D2E146; D4E146; D3G146

Guard grilles for centrifugal fans with dual inlet with plastic housing (cable exit side)

Part no.

34265-2-2929

subject to alterations



- **Material:** PA plastic 6.6 GV25 V0, black
- **Special feature:** Outer two rings are closed
- **Suitable for:** D2E146; D4E146; D3G146; K4E146; K3G146

Guard grilles for centrifugal fans with dual inlet with plastic housing (side opposite cable exit)

Part no.

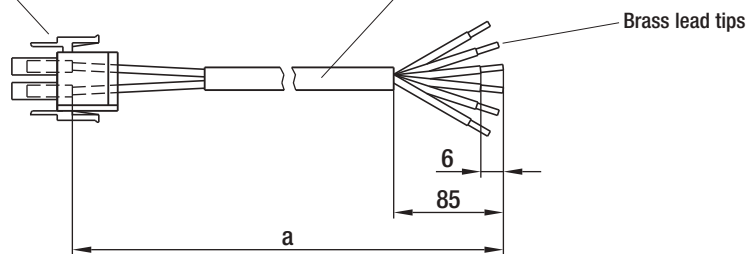
38182-2-2929

subject to alterations

Connection leads AC

AMP Universal Mate-N-Lok suitable for:
Connector shell AMP 926 682-3
Plug pin 926 886-1

Jacketed cable, internal leads
H03VV-F6G0,5 black



- **Suitable for:**
D2E146-HR; D2E146-HS; D2E146-HT
- **Plug assignment:**
 - 1 = Step 1 (white)
 - 2 = Step 2 (red)
 - 3 = Step 3 (grey)
 - 4 = Step 4 (black)
 - 5 = N (blue)
 - 6 = PE (green/yellow)

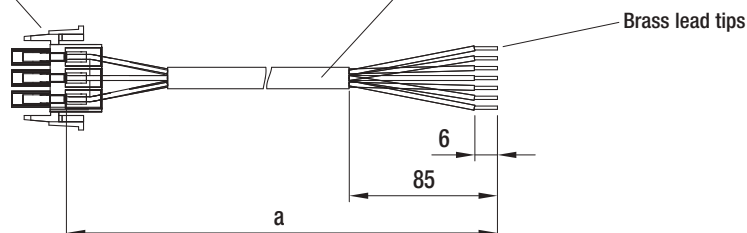
Lead connections for AC centrifugal fans with plastic housing

Part no.	a
21956-4-1040	300,0
21957-4-1040	450,0
21958-4-1040	650,0
21959-4-1040	1000,0

subject to alterations

AMP Universal Mate-N-Lok suitable for:
Connector shell AMP 927 231-3
Plug pin 926 886-1

Jacketed cable, internal leads
H03VV-F6G0,5 black



- **Suitable for:**
D4E146-LV; K4E146-AB
- **Plug assignment:**
 - 1 = Step 1 (white)
 - 2 = Step 2 (red)
 - 3 = Step 3 (grey)
 - 4 = Step 4 (orange)
 - 5 = Step 5 (black)
 - 8 = N (blue)
 - 9 = PE (green/yellow)

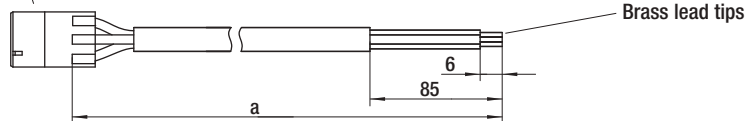
Lead connections for AC centrifugal fans with plastic housing

Part no.	a
21810-4-1012	450,0
21811-4-1012	1050,0
21812-4-1012	1300,0
21813-4-1012	1600,0
21814-4-1012	2300,0

subject to alterations

Connection leads EC

Lumberg female connector



– **Suitable for:**
D3G146-LT; D3G146-LU; D3G146-LV;
K3G146-A.....

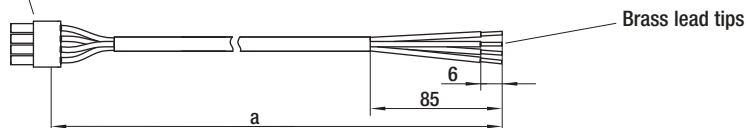
– **Plug assignment:**
1 = N (blue)
2 = L (black)
3 = PE (green/yellow)

Line leads for EC centrifugal fans with plastic housing

Part no.	a
65030-4-1040	450,0
65031-4-1040	650,0
65032-4-1040	1000,0
65033-4-1040	1500,0

subject to alterations

Molex Micro Fit female connector



– **Suitable for:**
D3G146-LT; D3G146-LU; D3G146-LV;
K3G146-A.....

– **Plug assignment:**
1 = GND (blue)
2 = 0-10V lin. / PWM (yellow)
3 = Tacho (white)
4 = 10V (red)

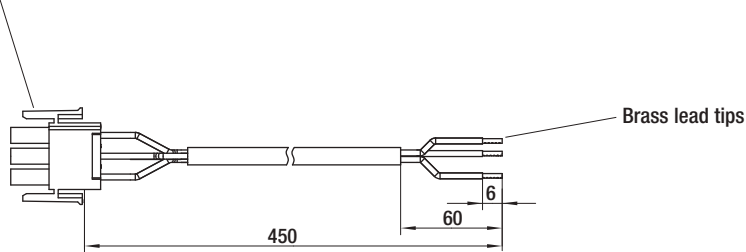
Control lines for EC centrifugal fans with plastic housing

Part no.	a
65006-4-1040	450,0
65007-4-1040	650,0
65008-4-1040	1000,0
65009-4-1040	1500,0

subject to alterations

Connection leads EC

AMP Mate-N-Lok female connector



- Suitable for:
D3G146-HQ

- Plug assignment:

- 1 = PE (green/yellow)
- 2 = N (blue)
- 3 = L (black)

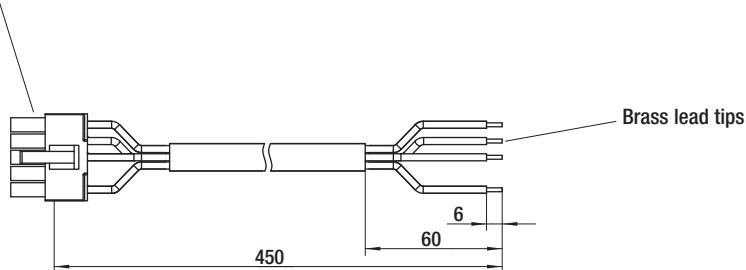
Line lead for EC centrifugal fans with plastic housing

Part no.

62964-4-1040

subject to alterations

Molex Mini Fit female connector



- Suitable for:
D3G146-HQ

- Plug assignment:

- 1 = GND (blue)
- 2 = 0-10V lin. / PWM (yellow)
- 3 = Tacho (white)
- 4 = 10V (red)

Control line for EC centrifugal fans with plastic housing

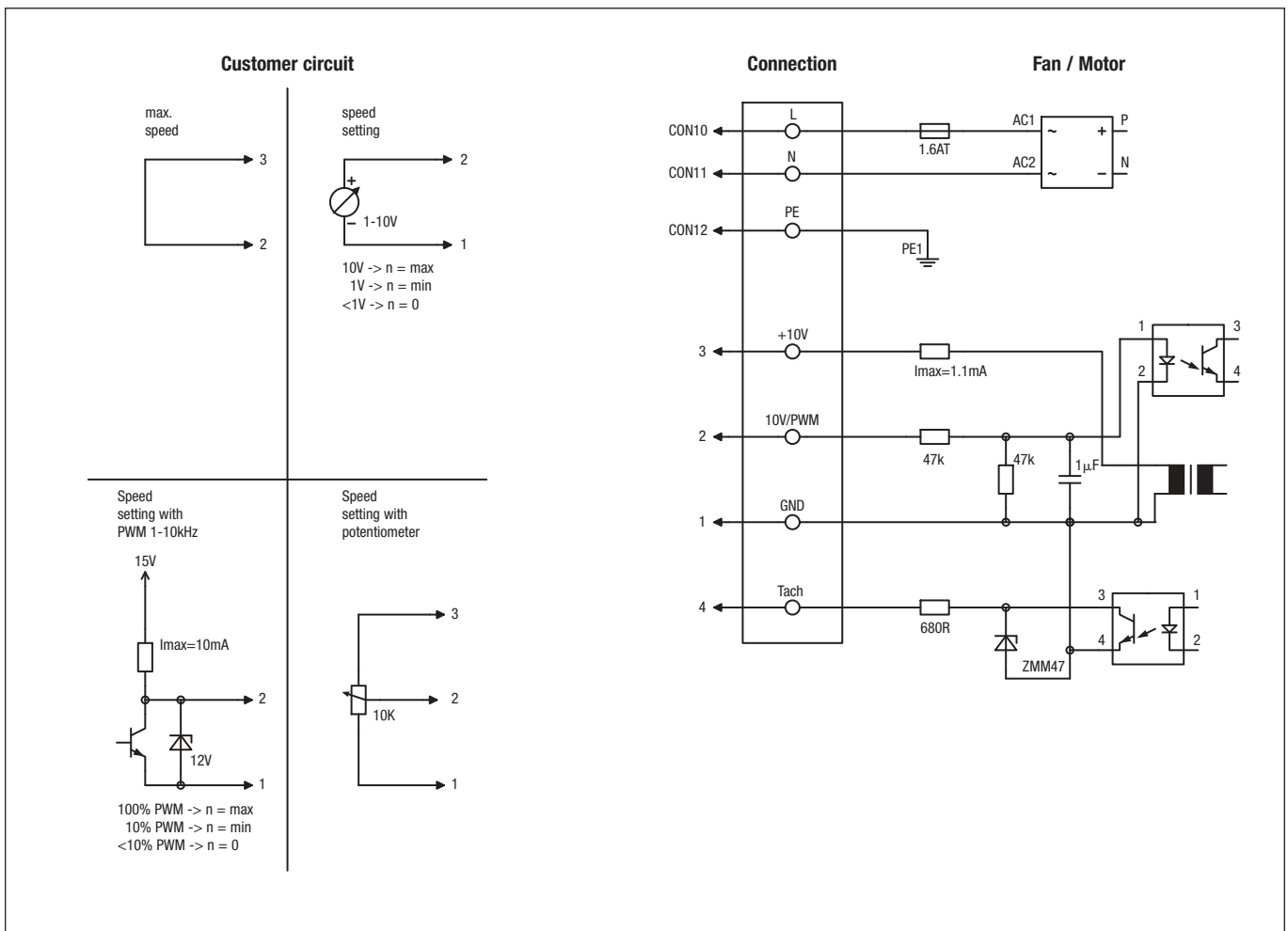
Part no.

59601-4-1040

subject to alterations

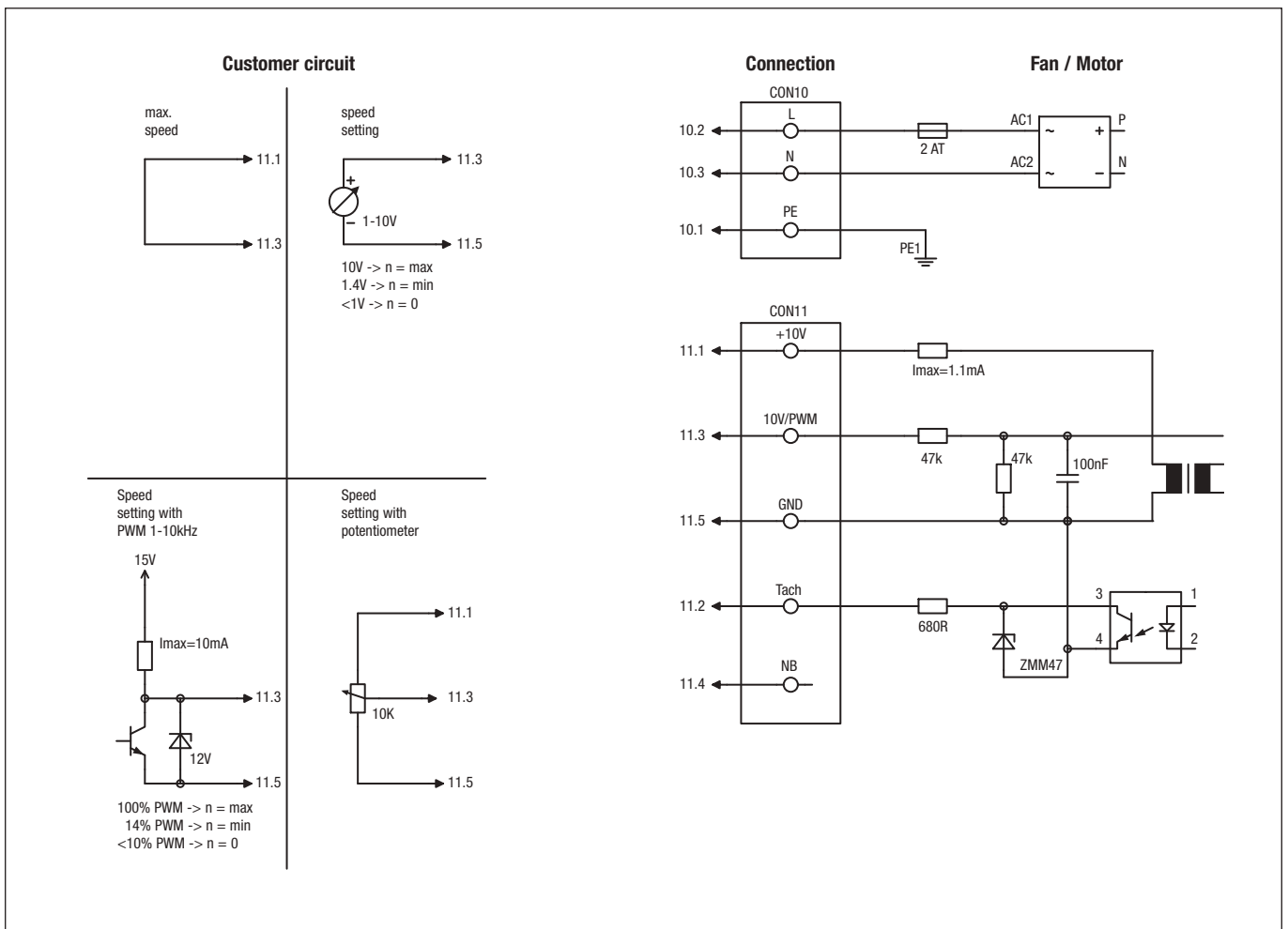
Electrical connections EC

H4)



Line	Connection	Colour	Assignment / function
CON10	L	black	Power supply 230 VAC, 50 - 60 Hz, see type plate for voltage range
CON11	N	blue	Neutral conductor
CON12	PE	green/yellow	Protective earth
1	GND	blue	GND - Connection for control interface
2	0-10V PWM	yellow	Control input 0 - 10 V or PWM, electrically isolated
3	10V/max.1.1mA	red	Voltage output 10V / 1.1mA, electrically isolated, not short-circuit-proof
4	Tach	white	Tach output: Open Collector, 1 pulse per revolution, electrically isolated

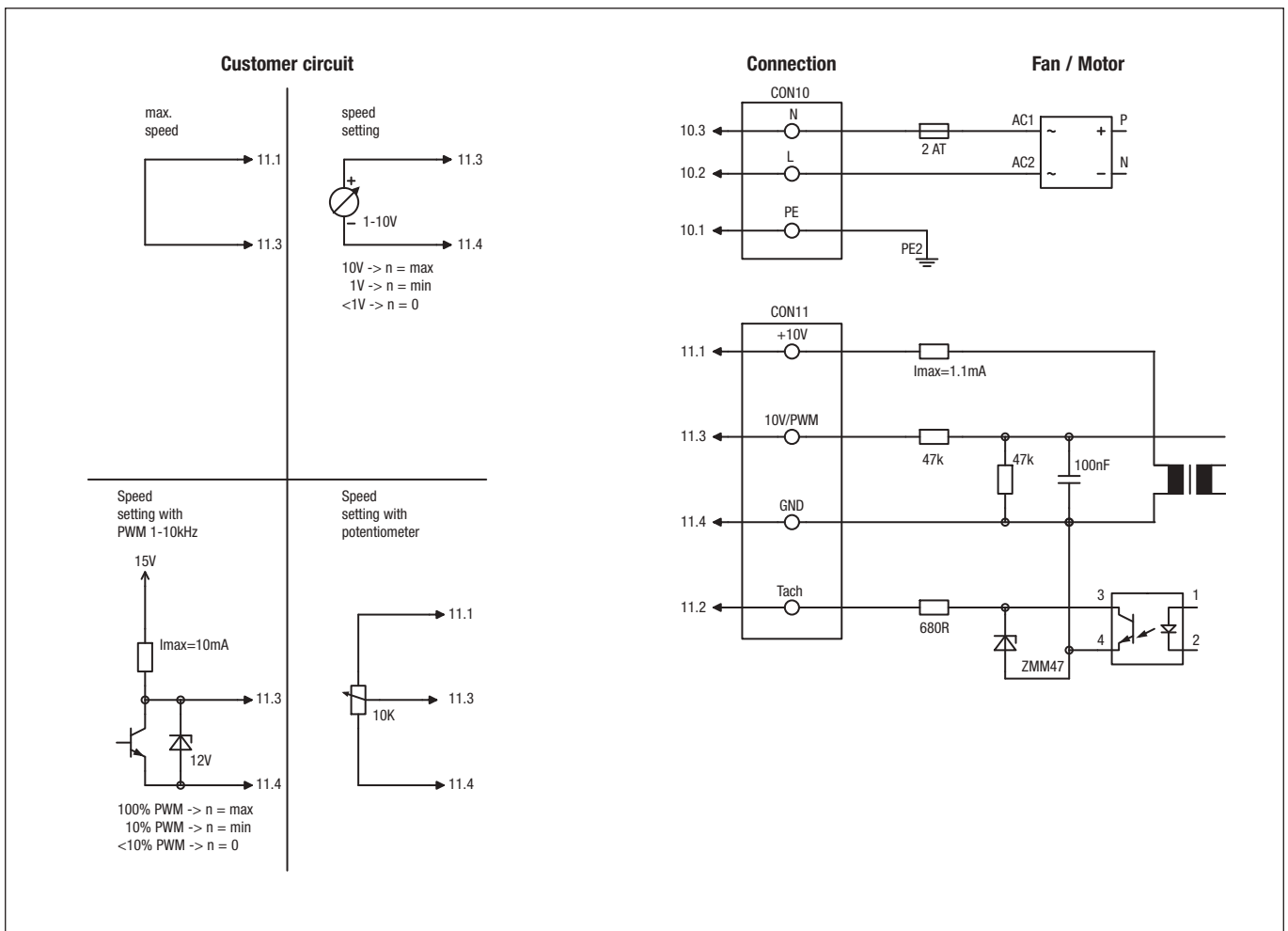
H5)



Line	No.	Connection	Colour	Assignment / function
CON10	10.1	PE	green/yellow	Protective earth
CON10	10.2	L	black	Power supply 230 VAC, 50 - 60 Hz, see type plate for voltage range
CON10	10.3	N	blue	Neutral conductor
CON11	11.1	10V/max. 1.1mA	red	Voltage output 10V / 1mA, electrically isolated
CON11	11.2	Tach	white	Tach output: Open Collector, 1 pulse per revolution, electrically isolated
CON11	11.3	0-10V PWM	yellow	Control input 0 - 10V or PWM, electrically isolated
CON11	11.4	NB		not assigned
CON11	11.5	GND	blue	GND - Connection for control interface

Electrical connections EC

H6)



Line	No.	Connection	Colour	Assignment / function
CON10	10.1	PE	green/yellow	Protective earth
CON10	10.2	L	black	Power supply 230 VAC, 50 - 60 Hz, see type plate for voltage range
CON10	10.3	N	blue	Neutral conductor
CON11	11.1	10V/max.1.1mA	red	Voltage output 10V / 1mA, electrically isolated
CON11	11.2	Tach	white	Tach output: Open Collector, 1 pulse per revolution, electrically isolated
CON11	11.3	0-10V PWM	yellow	Control input 0 - 10V or PWM, electrically isolated
CON11	11.4	GND	blue	GND - Connection for control interface

Technical parameters & scope



High standards for all ebm-papst products

Here at ebm-papst, we constantly strive to further improve our products in order to be able to offer you the best possible product for your application. Careful monitoring of the market ensures that technical innovations are reflected in the improvements of our products.

Based on the technical parameters listed below and the ambience you want our product to operate in, we here at ebm-papst can always work out the best solution for your specific application.

General performance parameters

Any deviations from the technical data and parameters described here are listed on the product-specific data sheet.

Type of protection

The type of protection is specified in the product-specific data sheets.

Insulation class

The insulation class is specified in the product-specific data sheets.

Mounting position

The mounting position is specified in the product-specific data sheets.

Condensate discharge holes

Information on the condensate discharge holes is provided in the product-specific data sheets.

Mode of operation

The mode of operation is specified in the product-specific data sheets.

Protection class

The protection class is specified in the product-specific data sheets.

Service life

The service life of ebm-papst products depends on two major factors:

- The service life of the insulation system
- The service life of the bearing system

The service life of the insulation system mainly depends on voltage level, temperature and ambient conditions, such as humidity and condensation.

The service life of the bearing system depends mainly on the thermal load on the bearing.

The majority of our products use maintenance-free ball bearings for any mounting position possible. As an option, sleeve bearings can be used, which is indicated on the product-specific data sheet wherever applicable.

The service life L10 of the ball bearings can be taken as approx. 40,000 operating hours at an ambient temperature of 40 °C, yet this estimate can vary according to the actual ambient conditions.

We will gladly provide you with a lifetime calculation taking into account your specific operating conditions.

Motor protection / thermal protection

Information on motor protection and thermal protection is provided in the product-specific data sheets.

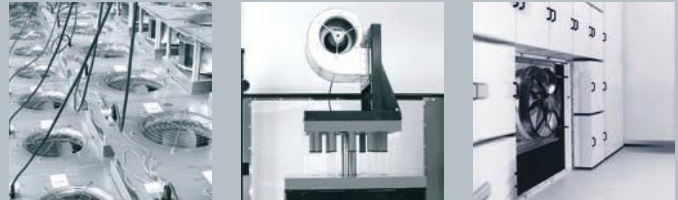
Depending on motor type and field of application, the following protective features are realised:

- Thermal overload protection (TOP), either in-circuit or external
- PTC with electronic diagnostics
- Impedance protection
- Thermal overload protection (TOP) with electronic diagnostics
- Current limitation via electronics

If an external TOP is connected, the customer has to make sure to connect a conventional trigger device for switching it off.

Products without fitted TOP and without protection against improper use, a motor protection complying with the valid standards has to be installed.

*Left: Endurance test room
Middle: Shock test
Right: Chamber test rig*



■ Mechanical strain / performance parameters

All ebm-papst products are subjected to comprehensive tests complying with the normative specifications. In addition to this, the tests also reflect the vast experience and expertise of ebm-papst.

Vibration test

Vibration tests are carried out in compliance with

- Vibration test in operation according to DIN IEC 68, parts 2-6
- Vibration test at standstill according to DIN IEC 68, parts 2-6

Shock load

Shock load tests are carried out in compliance with

- Shock load according to DIN IEC 68, parts 2-27

Balancing quality

Testing the balancing quality is carried out in compliance with

- Residual imbalance according to DIN ISO 1940
- Standard balancing quality level G 6.3

Should you require a higher balancing quality level for your specific application, please let us know and specify this when ordering your product.

■ Chemo-physical strain / performance parameters

Should you have questions about chemo-physical strain, please direct them to your ebm-papst contact.

■ Fields of application, industries and applications

Our products are used in various industries and applications:

Ventilation, air-conditioning and refrigeration technology, clean room technology, automotive and rail technology, medical and laboratory technology, electronics, computer and office technology, telecommunications, household appliances, heating, machines and plants, drive engineering.

Our products are not designed for use in the aviation and aerospace industry!

■ Legal and normative directives

The products described in this catalogue are designed, developed and produced in keeping with the standards in place for the relevant product and, if known, the conditions governing the relevant fields of application.

Standards

Information on standards is provided in the product-specific data sheets.

EMC

Information on EMC standards is provided in the product-specific data sheets.

Complying with the EMC standards has to be established on the final appliance, as different mounting situations can result in changed EMC properties.

Leakage current

Information on the leakage current is provided in the product-specific data sheets.

Measuring is according to IEC 60990.

Approvals

In case you require a specific approval for your ebm-papst product (VDE, UL, GOST, CCC, CSA, etc.) please let us know.

Most of our products can be supplied with the relevant approval.

Information on existing approvals is provided in the product-specific data sheets.

■ Air performance measurements

All air performance measurements are carried out on suction side and on chamber test beds conforming to the specifications as per ISO 5801 and DIN 24163. The fans under test are installed in the measuring chamber at free air intake and exhaust (installation category A) and are operated at nominal voltage, with AC also at nominal frequency, and without any additional components such as guard grilles.

As required by the standard, the air performance curves correspond to an air density of 1.2 kg/m³.

Room for precision noise measuring



Measurement conditions for air and noise measurement

ebm-papst products are measured under the following conditions:

- Axial and diagonal fans in direction of rotation “V” in full nozzle and without guard grille
- Backward curved centrifugal fans, free-running and with inlet nozzle
- Forward curved single and dual inlet centrifugal fans with housing

Noise measurements

All noise measurements are carried out in low-reflective test rooms with reverberant floor. Thus the ebm-papst acoustic test chambers meet the requirements of precision class 1 according to DIN EN ISO 3745. For noise measurement, the fans being tested are placed in a reverberant wall and operated at nominal voltage (for AC, also at nominal frequency) without additional attachments such as the guard grille.

Sound pressure level and sound level

All acoustic values are established according to ISO 13347, DIN 45635 and ISO 3744/3745 to accuracy class 2 and given in A-rated form.

When the sound pressure level (L_p) is measured, the microphone is on the intake side of the fan being tested, usually at a distance of 1 m on the fan axis.

To measure the sound power level (L_w), 10 microphones are distributed over an enveloping surface on the intake side of the fan being tested (see graphic). The sound power level measured can be roughly calculated from the sound pressure level by adding 7 dB.

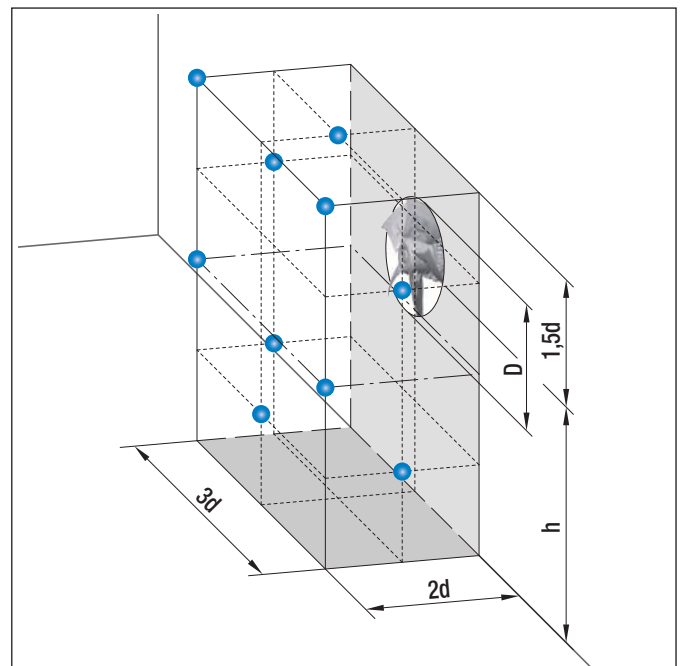
Measuring configuration as per ISO 13347-3 respectively DIN 45635-38:

- 10 measuring points

$$d \geq D$$

$$h = 1,5d \dots 4,5d$$

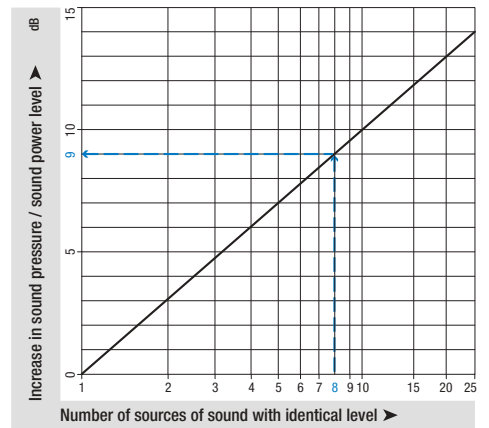
$$\text{Measurement area } S = 6d^2 + 7d(h + 1,5d)$$



Adding multiple noise sources with the same level

Adding 2 noise sources with the same volume results in a level increase of approx. 3 dB. The noise characteristics of multiple identical fans can be determined in advance based on the noise values specified in the data sheet. This is shown in the diagram opposite.

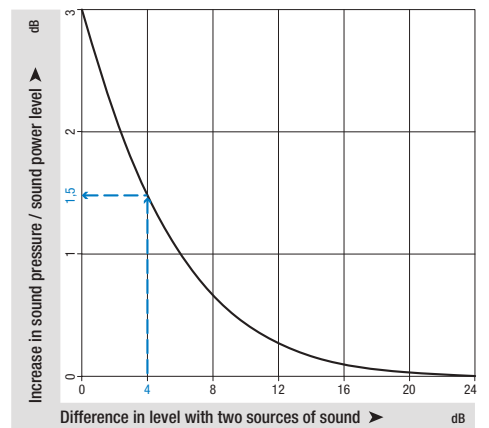
Example: 8 A3G800 axial fans are on a condenser. According to the data sheet, the sound pressure level of a fan is approximately 75 dB(A). The level increase measured from the diagram is 9 dB. Thus the overall sound level of the installation can be expected to be 84 dB(A).



Adding two noise sources with different levels

The acoustic performance of two different fans can be predetermined based on the sound levels given in the data sheet. This is shown in the diagram opposite.

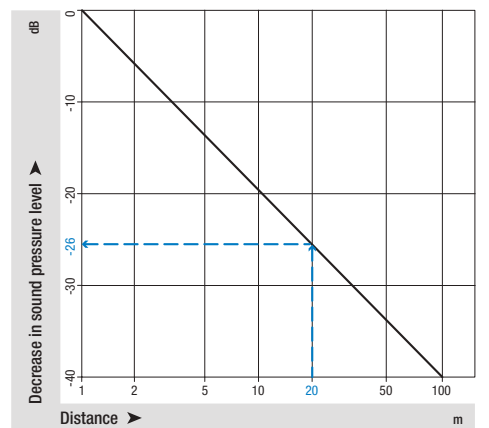
Example: There is an axial fan A3G800 with a sound pressure level of 75 dB(A) at the operating point and an axial fan A3G710 with 71 dB(A) in a ventilation unit. The level difference is 4 dB. The level increase can now be read in the diagram as approx. 1.5 dB. This means that the overall sound level of the unit can be expected to be 76.5 dB(A).



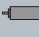



Distance laws

Sound power level is independent of distance to the sound source. In contrast to this, sound pressure level decreases the further away the noise source is. The adjacent diagram shows the decrease in level under far sound field conditions. Far sound field conditions apply whenever the distance between microphone and fan is big when compared to fan diameter and wavelength to be considered. For more information on far sound field, please consult the relevant literature on this complex topic. Per doubling of distance, the level in the far sound field decreases by 6 dB. In the near field of the fan, other correlations apply and the decrease in levels can be considerably smaller. The following example only applies to far sound field conditions and can vary strongly depending on the installation effects:

With an axial fan A3G300, a sound pressure level of 65 dB(A) was measured at a distance of 1 m. According to the adjacent diagram, at a distance of 20 m we would get a reduction by 26 dB, i.e. a sound pressure level of 39 dB(A).



-  fan agent
-  compact fan agent
-  motor specialist
-  motor agent

ebm-papst in Germany

Germany

ebm-papst Muldingen GmbH & Co. KG

Bachmühle 2
D-74673 Muldingen
Phone +49 7938 81-0
Fax +49 7938 81-110
info1@de.ebmpapst.com

www.ebmpapst.com

ebm-papst St. Georgen GmbH & Co. KG





Hermann-Papst-Straße 1
D-78112 St. Georgen
Phone +49 7724 81-0
Fax +49 7724 81-1309
info2@de.ebmpapst.com

www.ebmpapst.com

ebm-papst Landshut GmbH

Hofmark-Aich-Straße 25
D-84030 Landshut
Phone +49 871 707-0
Fax +49 871 707-465
info3@de.ebmpapst.com

www.ebmpapst.com

 **Berlin**
 Dipl.-Ing. (TH) Jens Duchow
 Händelstraße 7
 D-16341 Panketal
Phone +49 30 944149-62
Fax +49 30 944149-63
Jens.Duchow@de.ebmpapst.com

 **Bielefeld**
 Dipl.-Ing. (FH) Wolf-Jürgen Weber
 Niehausweg 13
 D-33739 Bielefeld
Phone +49 5206 91732-31
Fax +49 5206 91732-35
Wolf-Juergen.Weber@de.ebmpapst.com

 **Dortmund**
 Dipl.-Ing. (FH) Hans-Joachim Pundt
 Auf den Steinern 3
 D-59519 Möhnese-Völlinghausen
Phone +49 2925 800-407
Fax +49 2925 800-408
Hans-Joachim.Pundt@de.ebmpapst.com

 **Frankfurt**
 Dipl.-Ing. Christian Kleffmann
 Dr.-Hermann-Krause-Straße 23
 D-63452 Hanau
Phone +49 6181 1898-12
Fax +49 6181 1898-13
Christian.Kleffmann@de.ebmpapst.com

 **Halle**
 Dipl.-Ing. (TU) Michael Hanning
 Lercheneck 4
 D-06198 Salzatal / OT Lieskau
Phone +49 345 55124-56
Fax +49 345 55124-57
Michael.Hanning@de.ebmpapst.com

 **Hamburg**
 Ingenieurbüro Breuell GmbH
 Ing. Dirk Kahl
 Elektroingenieur
Grützmühlenweg 48
D-22339 Hamburg
Phone +49 40 538092-19
Fax +49 40 538092-84
Dirk.Kahl@de.ebmpapst.com

 **Heilbronn / Heidelberg**
 Dipl.-Ing. Mark Gartner
 Gehrweg 12
 D-74199 Unterheinriet
Phone +49 7130 404569-1
Fax +49 7130 404569-2
Mark.Gartner@de.ebmpapst.com

 **Kassel**
 Dipl.-Ing. (FH) Ralph Brück
 Hoherainstraße 3 b
 D-35075 Gladenbach
Phone +49 6462 4071-10
Fax +49 6462 4071-11
Ralph.Brueck@de.ebmpapst.com

 **Koblenz**
 Winfried Schaefer
 Hinter der Kirch 10
 D-56767 Uersfeld
Phone +49 2657 16-96
Fax +49 2657 16-76
Winfried.Schaefer@de.ebmpapst.com

 **Munich**
 Dipl.-Wirt.-Ing. (FH) Jens Peter
 Landsbergerstraße 14
 D-86932 Pürgen
Phone +49 8196 99877-54
Fax +49 8196 99877-55
Jens.Peter@de.ebmpapst.com

 **Nuremberg**
 Dipl.-Wirt.-Ing. (FH) Axel Resch
 Steinsfeldstraße 80
 D-74626 Bretzfeld
Phone +49 7946 94401-02
Fax +49 7946 94401-03
Axel.Resch@de.ebmpapst.com

 **Offenburg**
 Dipl.-Ing. (FH) Ralf Braun
 Hubeneck 21
 D-77704 Oberkirch
Phone +49 7802 9822-52
Fax +49 7802 9822-53
Ralf.Braun@de.ebmpapst.com

 **Stuttgart**
 Dipl.-Ing. (FH) Rudi Weinmann
 Hindenburgstraße 100/1
 D-73207 Plochingen
Phone +49 7153 9289-80
Fax +49 7153 9289-81
Rudi.Weinmann@de.ebmpapst.com

 **Ulm**
 M.Sc. Reinhard Sommerreißer
 Am Silbermannpark 10
 D-86161 Augsburg
Phone +49 821 6610-7023
Fax +49 821 6610-7024
Reinhard.Sommerreisser@de.ebmpapst.com

Distributors

 **Frankfurt**
R.E.D. Handelsgesellschaft mbH
Gutenbergstraße 3
D-63110 Rodgau - Jügesheim
Phone +49 6106 841-0
Fax +49 6106 841-111
info@red-elektromechnik.de
www.red-elektromechnik.de

 **Hamburg**
Breuell + Hilgenfeldt GmbH
Grützmühlenweg 48
D-22339 Hamburg
Phone +49 40 538092-20
Fax +49 40 538092-84
info@breuell-hilgenfeldt.de

 **Munich**
A. Schweiger GmbH
Ohmstraße 1
D-82054 Sauerlach
Phone +49 8104 897-0
Fax +49 8104 897-90
info@schweiger-gmbh.de
www.schweiger-gmbh.com



● **Express Service-Center** (1 to 5 pieces)

 **North**
 Breuell + Hilgenfeldt GmbH
 Grützmühlenweg 48
 D-22339 Hamburg
Phone +49 40 538092-20
Fax +49 40 538092-84
ebmpapst@breuell-hilgenfeldt.de

 **South**
 HDS Ventilatoren Vertriebs GmbH
 Glaswiesenstraße 1
 D-74677 Dörzbach
Phone +49 7937 80355-20
Fax +49 7937 80355-25
info@hds-gmbh.net
www.hds-gmbh.net

Europe

 **Austria**
 ebm-papst Motoren & Ventilatoren GmbH
 Straubingstraße 17
A-4030 Linz
Phone +43 732 321150-0
Fax +43 732 321150-20
info@at.ebmpapst.com
www.ebmpapst.at

 **Belarus**
 ebm-papst Bel AgmbH
 P.O. Box 117
BY-220138 Minsk
Phone +375 17 3851556
Fax +375 17 3851556
info@by.ebmpapst.com
www.ebmpapst.by

 **Belgium**
 ebm-papst Benelux B.V.
 Sales office Belgium-Luxemburg
Romeinsestraat 6/0101
Research Park Haasrode
B-3001 Heverlee-Leuven
Phone +32 16 396-200
Fax +32 16 396-220
info@be.ebmpapst.com
www.ebmpapst.be

 **Bulgaria**
 ebm-papst Romania S.R.L.
 Str. Tarnavei No. 20
RO-500327 Brasov
Phone +40 268 312-805
Fax +40 268 312-805
dudasludovic@xnet.ro

 **Croatia**
 ebm-papst Industries Kft.
 Ezred u. 2.
H-1044 Budapest
Phone +36 1 8722-190
Fax +36 1 8722-194
office@hu.ebmpapst.com

 **Czech Republic / Slovakia**
 ebm-papst CZ s.r.o.
 Kaštanová 34a
CZ-620 00 Brno
Phone +420 544 502-411
Fax +420 547 232-622
info@ebmpapst.cz
www.ebmpapst.cz

 **Denmark**
 ebm-papst Denmark ApS
 Vallensbækvej 21
DK-2605 Brøndby
Phone +45 43 631111
Fax +45 43 630505
mail@dk.ebmpapst.com
www.ebmpapst.dk

 **Estonia**
 ebm-papst Oy, Eesti Filiaal
 Kesk tee 13
Aaviku küla, Jüri Tehnopark
EST-75301 Rae Vald, Harjumaa
Phone +372 65569-78
Fax +372 65569-79
www.ebmpapst.ee

 **Finland**
 ebm-papst Oy
 Puistotie 1
FIN-02760 Espoo
Phone +358 9 887022-0
Fax +358 9 887022-13
mailbox@ebmpapst.fi
www.ebmpapst.fi

 **France**
 ebm-papst sarl
 ZI Nord - rue A. Mohler
BP 62
F-67212 Obernai Cedex
Phone +33 820 326266
Fax +33 3 88673883
info@ebmpapst.fr
www.ebmpapst.fr

 **Greece**
 Helcoma
 Th. Rotas & Co OE
Davaki 65
GR-17672 Kallithea-Attiki
Phone +30 210 9513-705
Fax +30 210 9513-490
contact@helcoma.gr
www.helcoma.gr

 **Hungary**
 ebm-papst Industries Kft.
 Ezred u. 2.
H-1044 Budapest
Phone +36 1 8722-190
Fax +36 1 8722-194
office@hu.ebmpapst.com




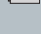
 **Iceland**
 RJ Engineers
 Stangarhyl 1a
IS-110 Reykjavik
Phone +354 567 8030
Fax +354 567 8015
rj@rj.is
www.rj.is

 **Ireland**
 ebm-papst UK Ltd.
 Chelmsford Business Park
GB-Chelmsford Essex CM2 5EZ
Phone +44 1245 468555
Fax +44 1245 466336
sales@uk.ebmpapst.com
www.ebmpapst.co.uk

 **AuBren Limited**
 Portlaoise Business & Technology Park
Mountrath Road
IRL-Portlaoise, Co. Laois
Phone +353 57 8664343
Fax +353 57 8664346
sales@ie.aubren.com
www.aubren.com

 **Italy**
 ebm-papst Srl
 Via Cornaggia 108
I-22076 Mozzate (Co)
Phone +39 0331 836201
Fax +39 0331 821510
info@it.ebmpapst.com
www.ebmpapst.it

 **Macedonia**
 ebm-papst Industries Kft.
 Ezred u. 2.
H-1044 Budapest
Phone +36 1 8722-190
Fax +36 1 8722-194
office@hu.ebmpapst.com

-  fan agent
-  compact fan agent
-  motor specialist
-  motor agent

ebm-papst in Europe

 **Netherlands**
 ebm-papst Benelux B.V.
 Engelseweg 127
 NL-5705 AC Helmond
 Phone +31 492 502-900
 Fax +31 492 502-950
 verkoop@nl.ebmpapst.com
 www.ebmpapst.nl

 **Norway**
 ebm-papst AS
 P.B. 173 Holmlia
 N-1203 Oslo
 Phone +47 22 763340
 Fax +47 22 619173
 mailbox@ebmpapst.no
 www.ebmpapst.no

 **Poland**
 ebm-papst Polska Sp. z o.o.
 ul. Annopol 4A
 PL-03236 Warszawa
 Phone +48 22 6757819
 Fax +48 22 6769587
 office@ebmpapst.pl
 www.ebmpapst.pl

 **Portugal**
 ebm-papst (Portugal), Lda.
 Centro Empresarial de Alverca
 Rua de Adarse, Vale D'Ervas
 Corpo D / Fracção 3
 P-2615-178 Alverca do Ribatejo
 Phone +351 218 394 880
 Fax +351 218 394 759
 info@pt.ebmpapst.com
 www.ebmpapst.pt



 **Romania**
 ebm-papst Romania S.R.L.
 Str. Tarnavei Nr. 20
 RO-500327 Brasov
 Phone +40 268 312-805
 Fax +40 268 312-805
 dadasludovic@xnet.ro

 **Russia**
 ebm-papst Ural GmbH
 Posadskaja-Strasse, 23(E), 3
 RU-620102 Ekaterinburg
 Phone +7 343 2338000
 Fax +7 343 2337788
 Konstantin.Molokov@ru.ebmpapst.com
 www.ebmpapst.ur.ru

 ebm-papst Rus GmbH
 proezd 4529, vladenie 5, stroenie 1
 RU-141000 Mytistschi, Oblast Moskau
 Phone +7 495 9807524
 Fax +7 495 5140924
 info@ebmpapst.ru
 www.ebmpapst.ru


 **Serbia & Montenegro**
 ebm-papst Industries Kft.
 Ezred u. 2.
 H-1044 Budapest
 Phone +36 1 8722-190
 Fax +36 1 8722-194
 office@hu.ebmpapst.com

 **Spain**
 ebm-papst Ibérica S.L.
 Avda. del Sistema Solar, 29
 E-28830 San Fernando de Henares (Madrid)
 Phone +34 91 6780894
 Fax +34 91 6781530
 ventas@ebmpapst.es

 **Sweden**
 ebm-papst AB
 Äggelundavägen 2
 S-17562 Järfälla
 Phone +46 10 4544400
 Fax +46 8 362306
 info@ebmpapst.se
 www.ebmpapst.se

 **Switzerland**
 ebm-papst AG
 Rütisbergstrasse 1
 CH-8156 Oberhasli
 Phone +41 44 73220-70
 Fax +41 44 73220-77
 verkauf@ebmpapst.ch
 www.ebmpapst.ch

 **Turkey**
 Akantel Elektronik San. Tic. LTD. Sti.
 Atatürk Organize Sanayi
 Bölgesi 10007 SK. No.:6
 TR-35620 Cigli-Izmir
 Phone +90 232 3282090
 Fax +90 232 3280270
 akantel@akantel.com.tr
 www.ebmpapst.com.tr

 **Ukraine**
 ebm-papst Ukraine LLC
 Lapse Boulevard, 4, Building 47
 UA-03067 Kiev
 Phone +38 044 2063091
 Fax +38 044 2063091
 mail@ebmpapst.ua
 www.ebmpapst.ua

 **United Kingdom**
 ebm-papst UK Ltd.
 Chelmsford Business Park
 GB-Chelmsford Essex CM2 5EZ
 Phone +44 1245 468555
 Fax +44 1245 466336
 sales@uk.ebmpapst.com
 www.ebmpapst.co.uk

 ebm-papst Automotive & Drives (UK) Ltd.
 The Smithy
 Fidlers Lane
 GB-East Ilsley, Berkshire RG20 7LG
 Phone +44 1635 2811-11
 Fax +44 1635 2811-61
 A&Dsales@uk.ebmpapst.com
 www.ebmpapst-ad.com

America



Argentina



ebm-papst de Argentina S.A.
Hernandarias 148 Lomas del Mirador
Pcia. de Buenos Aires (1752)
Phone +54 11 46576135
Fax +54 11 46572092
ventas@ar.ebmpapst.com
www.ebmpapst.com.ar



Brazil



ebm-papst Motores Ventiladores Ltda.
Av. José Giorgi, 301 Galpões B6+B7
Condominio Logical Center
BR-06707-100 Cotia - São Paulo
Phone +55 11 4613-8700
Fax +55 11 3164-8924
vendas@br.ebmpapst.com
www.ebmpapst.com.br



Canada



ebm-papst Canada Inc.
1800 Ironstone Manor, Unit 2
CDN-Pickering, Ontario, L1W3J9
Phone +1 905 420-3533
Fax +1 905 420-3772
sales@ca.ebmpapst.com
www.ebmpapst.ca



Mexico



ebm Industrial S.de R.L. de C.V.
Paseo de Tamarindos 400-A-5º Piso
Col. Bosques de las Lomas
MEX-Mexico 05120, D.F.
Phone +52 55 3300-5144
Fax +52 55 3300-5243
sales@mx.ebmpapst.com
www.ebmpapst.com.mx



USA



ebm-papst Inc.
P.O. Box 4009
100 Hyde Road
USA-Farmington, CT 06034
Phone +1 860 674-1515
Fax +1 860 674-8536
sales@us.ebmpapst.com
www.ebmpapst.us



ebm-papst Automotive & Drives, Inc.
3200 Greenfield, Suite 255
USA-Dearborn, MI 48120
Phone +1 313 406-8080
Fax +1 313 406-8081
automotive@us.ebmpapst.com
www.ebmpapst-automotive.us



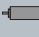

Africa



South Africa



ebm-papst South Africa (Pty) Ltd.
P.O. Box 3124
1119 Yacht Avenue
ZA-2040 Honeydew
Phone +27 11 794-3434
Fax +27 11 794-5020
info@za.ebmpapst.com
www.ebmpapst.co.za

-  fan agent
-  compact fan agent
-  motor specialist
-  motor agent

ebm-papst in Asia and Australia

Asia

 **China**
 ebm-papst Ventilator (Shanghai) Co., Ltd.
 No. 418, Huajing Road
 WaiGaoQiao Free Trade Zone
 No. 2001, Yang Gao (N) Road
 VRC-200131 Shanghai, P.R. of China
 Phone +86 21 5046-0183
 Fax +86 21 5046-1119
 sales@cn.ebmpapst.com
 www.ebmpapst.com.cn

 **Hong Kong**
 ebm-papst Hong Kong Ltd.
 Unit No. 13,9 / F
 Technology Park, 18 On Lai Street
 Siu Lek Yuen, Shatin N.T.
 Hong Kong - P.R. of China
 Phone +852 2145-8678
 Fax +852 2145-7678
 info@hk.ebmpapst.com

 **India**
 ebm-papst India Pvt. Ltd.
 26/3, G.N.T. Road, Erukkencherry
 IND-Chennai-600118
 Phone +91 44 25372556
 Fax +91 44 25371149
 sales@in.ebmpapst.com
 www.ebmpapst.in

 **Indonesia**
 ebm-papst Indonesia
 Representative Office
 German Centre, 4th Floor, Suite 4470
 Jl. Kapt. Subijono Dj. Bumi Serpong Damai
 RI-15321 Tangerang
 Phone +62 21 5376250
 Fax +62 21 5388305
 salesdept@id.ebmpapst.com

 **Israel**
 Polak Bros. Import Agencies Ltd.
 9 Hamefalsim Street
 IL-Kiryat Arie, Petach-Tikva 49514
 Phone +972 3 9100300
 Fax +972 3 5796679
 polak@polak.co.il
 www.polak.co.il

 **Japan**
 ebm-papst Industries Japan K.K.
 12 Floor, Benex S-3 Bldg.
 3-20-8 Shinyokohama, Kohoku-ku
 J-222-0033 Yokohama
 Phone +81 45 47057-51
 Fax +81 45 47057-52
 info@jp.ebmpapst.com
 www.ebmpapst.jp

 **Korea**
 ebm-papst Korea Co. Ltd.
 6F, Trutech Bldg.
 B 6-2, Digital Media City (DMC)
 Sangam-Dong, Mapo-Gu
 ROK-Seoul 121-270
 Phone +82 2 366213-24
 Fax +82 2 366213-26
 info@kr.ebmpapst.com
 www.ebmpapst.co.kr

 **Malaysia**
 ebm-papst Malaysia
 Representative Office
 Unit 12-2, Jalan USJ Sentral 3
 Persiaran Subang, Selangor Darul Ehsan
 MAL-47600 Subang Jaya
 Phone +60 3 8024-1680
 Fax +60 3 8024-8718
 salesdept@my.ebmpapst.com

 **Singapore**
 ebm-papst SEA Pte. Ltd.
 No. 23 Ubi Road 4
 #06-00 Olympia Industrial Building
 SGP-Singapore 408620
 Phone +65 65513789
 Fax +65 68428439
 salesdept@sg.ebmpapst.com

 **Taiwan**
 ETECO Engineering & Trading Corp.
 10F-I, No. 92, Teh-Wei Str.
 RC-Tsow-Inn District, Kaohsiung
 Phone +886 7 557-4268
 Fax +886 7 557-2788
 eteco@ms22.hinet.net
 www.ebmpapst.com.tw

 **Thailand**
 ebm-papst Thailand Co., Ltd.
 99/349 Na-Nakorn Bldg., 4th Floor
 Chaeng Wattana Road, Thungsonghong,
 THA-10210 Laksi, BKK
 Phone +66 2 57615-24
 Fax +66 2 57615-42
 salesdept@th.ebmpapst.com

 **United Arab Emirates**
 ebm-papst Middle East FZE
 PO Box 17755
 Jebel Ali Free Zone / FZS1 / AP05
 UAE-Dubai
 Phone +971 4 88608-26
 Fax +971 4 88608-27
 info@ae.ebmpapst.com
 www.ebmpapst.ae

 **Vietnam**
 ebm-papst Vietnam
 Representative Office
 Room #102, 25 Nguyen Van Thu Street
 District 1
 VN-Ho Chi Minh City
 Phone +84 8 39104099
 Fax +84 8 39103970
 linh.nguyen@vn.ebmpapst.com

Australia



Australia

ebm-papst A&NZ Pty Ltd.



10 Oxford Road



AUS-Laverton North, Victoria, 3026

Phone +61 3 9360-6400

Fax +61 3 9360-6464

sales@ebmpapst.com.au

www.ebmpapst.com.au



New Zealand

ebm-papst A&NZ Pty Ltd.



102 Henderson Valley Road



NZ-Henderson, Auckland 1230

Phone +64 9 837-1884

Fax +64 9 837-1899

sales@ebmpapst.com.au

www.ebmpapst.com.au

ebm-papst
Mulfingen GmbH & Co. KG

Bachmühle 2
D-74673 Mulfingen
Phone +49 7938 81-0
Fax +49 7938 81-110
info1@de.ebmpapst.com

www.ebmpapst.com



ebmpapst